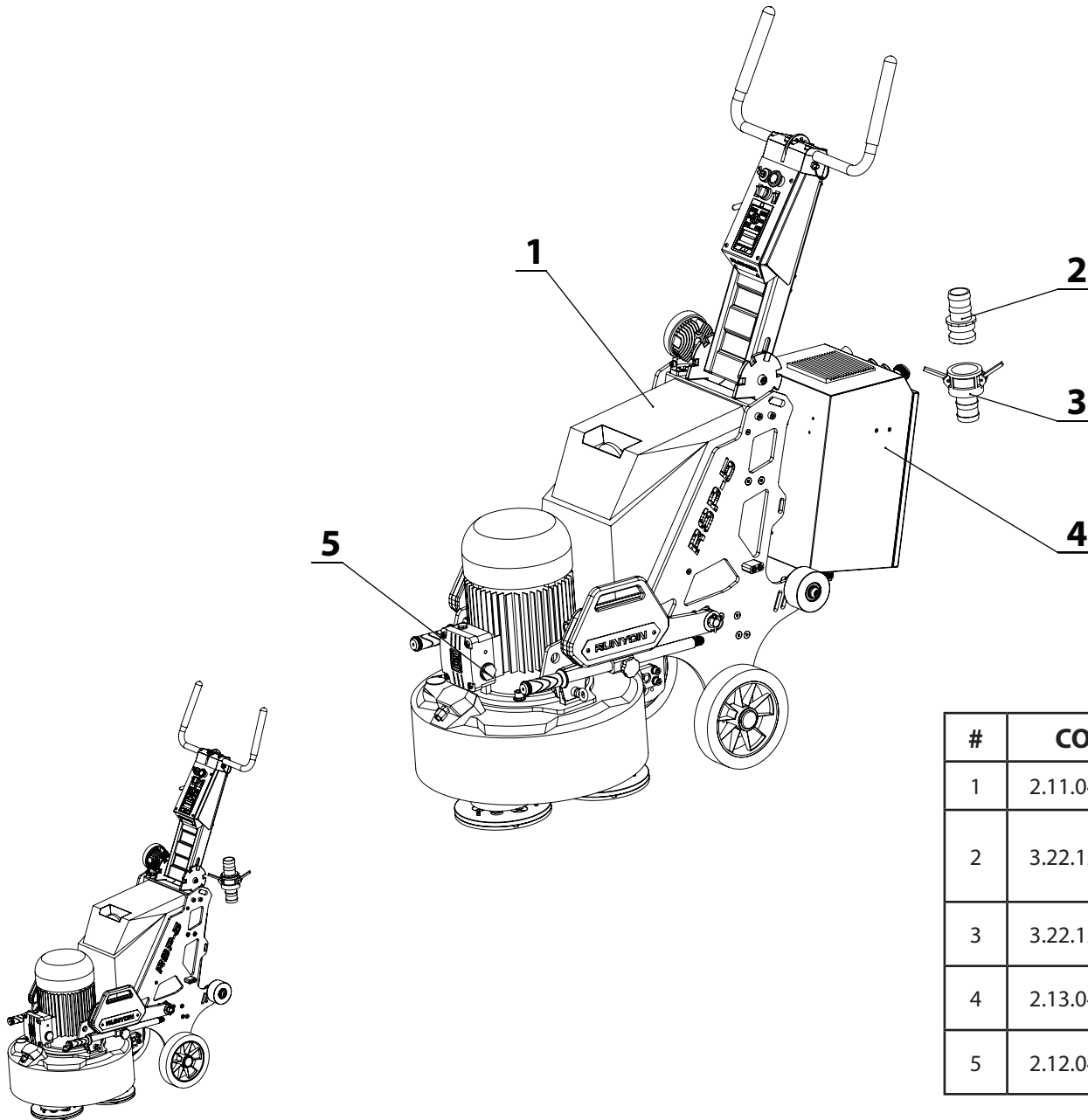


RSP-5 GRINDER PARTS BREAKDOWN LIST

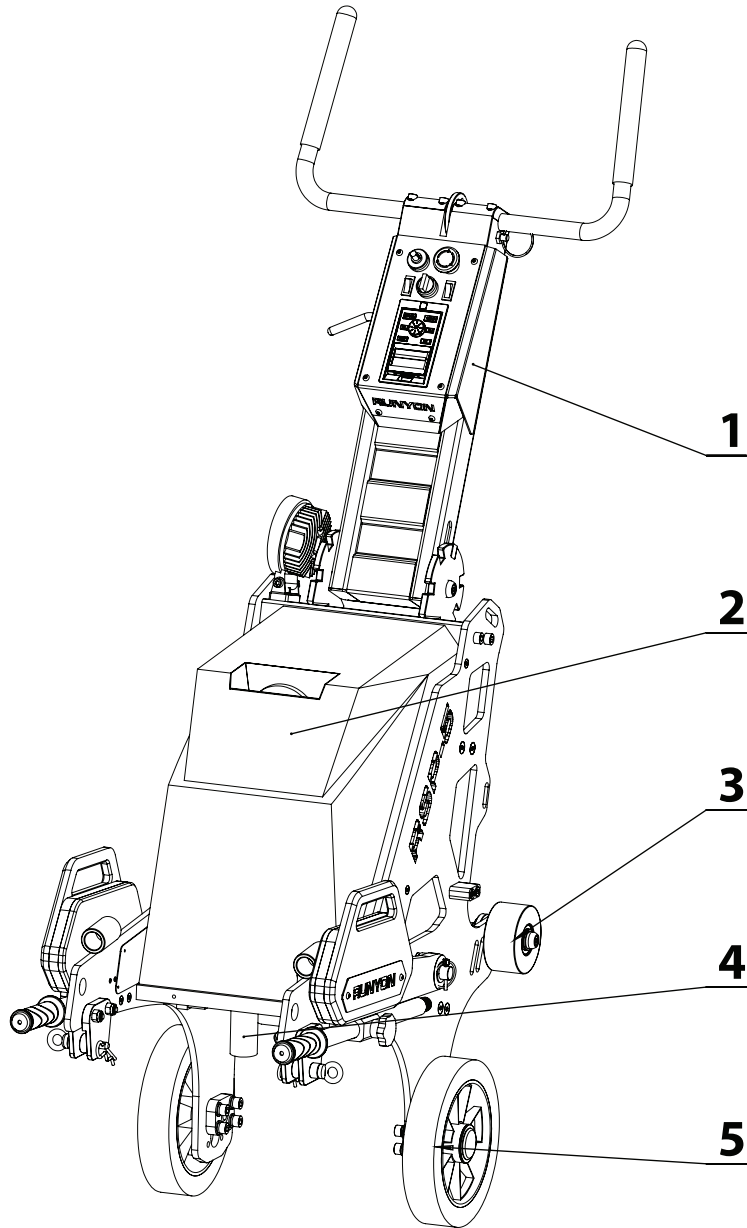


RSP-5 GRINDER EXPANDED VIEW



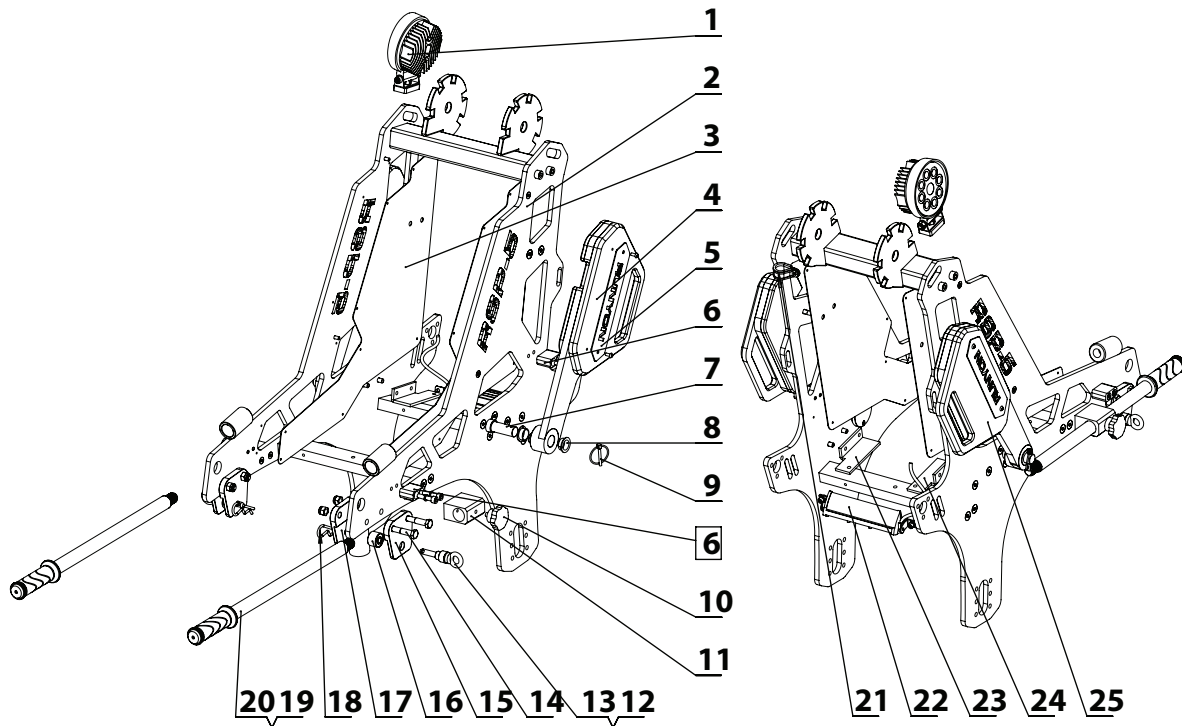
#	CODE	NAME	MODEL	QTY
1	2.11.041.008	Frame Assembly	RSP-5	1
2	3.22.126.109	Front Vacuum Hose Interface, E2 Aluminum Alloy, 50 mm	RSP-5	1
3	3.22.126.110	Rear Vacuum Hose Interface C2 Aluminum Alloy 50mm	RSP-5	1
4	2.13.041.013	Electrical Control Box Assembly	RSP-5	1
5	2.12.041.014	Gearbox Assembly, Butterfly Lock Grinding Plate	RSP-5	1

RSP-5 FRAME ASSEMBLY (PARTIAL)



#	CODE	NAME	MODEL	QTY
1	2.41.041.011	Swing Arm Assembly	RSP-5	1
2	2.41.041.012	Water Tank Assembly	RSP-5	1
3	2.41.041.010	Roller Assembly	RSP-5	2
4	4.11.041.013	Machine Foot Pad	RSP-5	1
5	2.41.017.003	Wheel Axle Assembly	RSP-5	2

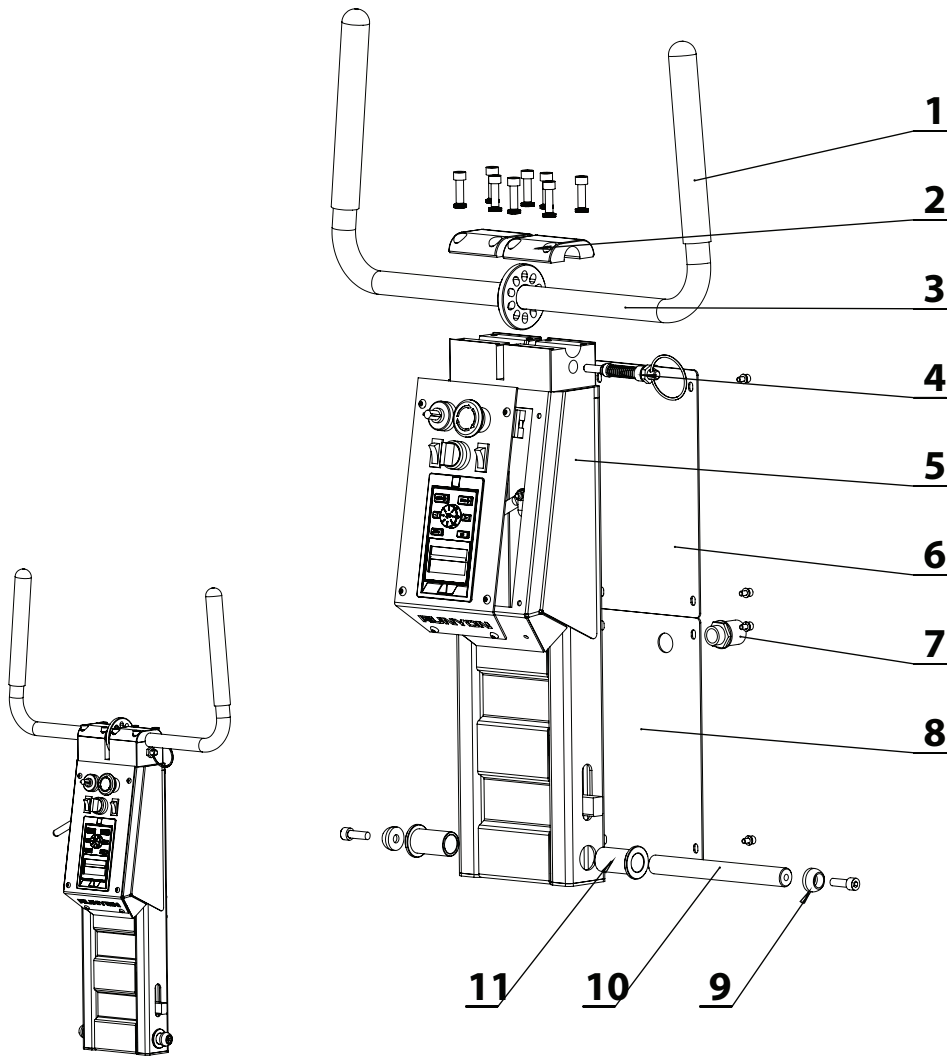
RSP-5 FRAME ASSEMBLY (PARTIAL)



#	CODE	NAME	MODEL	QTY
23	4.11.041.047	Lower Fixing Sheet Metal (Left), Powder Coated	RSP-5	1
24	4.11.041.046	Lower Fixing Sheet Metal (Right), Powder Coated	RSP-5	1
25	4.11.041.092	Right Counterweight Iron, Powder Coated	RSP-5	1

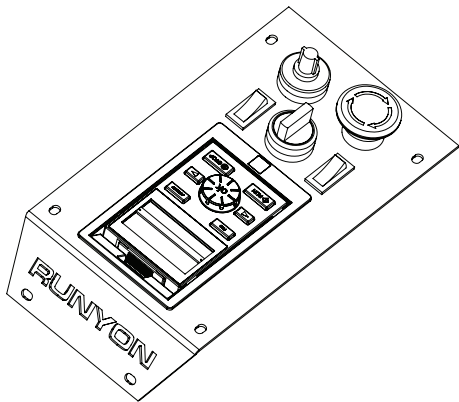
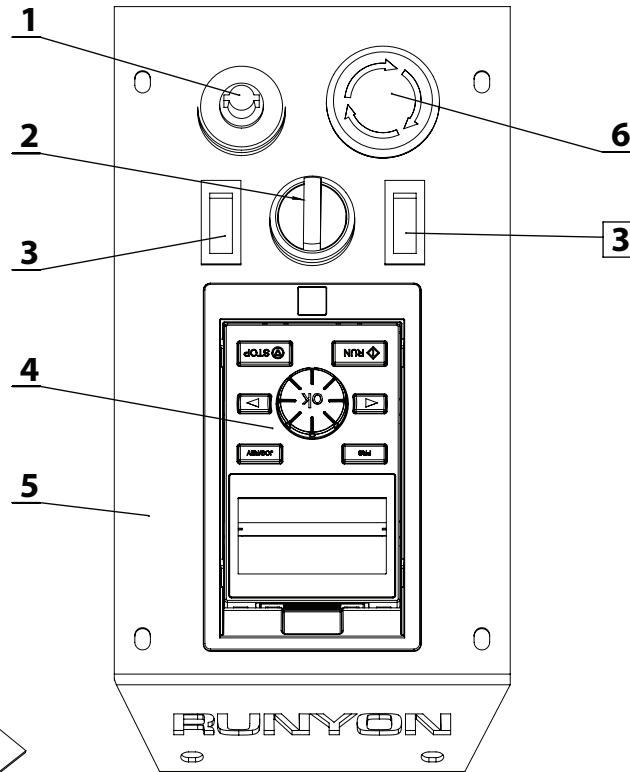
#	CODE	NAME	MODEL	QTY
1	3.21.116.013	LED LIGHT, 27 W	RSP-5	1
2	2.21.041.019	Frame Weldment, Powder Coated	RSP-5	1
3	4.11.041.086	Frame Decorative Panel, Powder Coated	RSP-5	2
4	4.11.041.094	Left Counterweight Iron, Powder Coated	RSP-5	1
5	4.11.041.098	Logo PLate, Powder Coated	RSP-5	2
6	4.11.026.005	Front Fixing Block, Powder Coated	RSP-5	4
7	4.11.041.012	Counterweight Shaft, Chrome Plated	RSP-5	2
8	3.22.112.070	Flanged Composite Bronze Bushing, 23 x 20 x 10	RSP-5	4
9	3.22.121.002	Annular Pin M4.5 x 36	RSP-5	2
10	5.11.104.003	Star Knob, M8 x 10	RSP-5	2
11	4.11.041.048	Lift Bar Base 2, Powder Coated	RSP-5	2
12	4.11.026.061	Quick Release Pin, Plated	RSP-5	2
13	5.11.161.001	Eye Bolt, M8 x 15 mm	RSP-5	2
14	5.11.101.037	Reamed-Hole Screw, Plated M10 x 50	RSP-5	4
15	4.11.017.069	Outer "Ear" Link Plate	RSP-5	2
16	3.22.113.004	Buffer Sleeve	RSP-5	2
17	4.11.017.070	Inner "Ear" Link Plate	RSP-5	2
18	3.22.121.004	R-Pin 4 x 75	RSP-5	2
19	3.22.122.001	Handle Rubber Grip	RSP-5	2
20	4.11.026.034	Lift Bar, Plated Threaded	RSP-5	2
21	5.11.107.003	Band Clamp w/ Rubber Strip	RSP-5	1
22	3.21.116.007	LED Light	RSP-5	1

RSP-5 SWING ARM ASSEMBLY



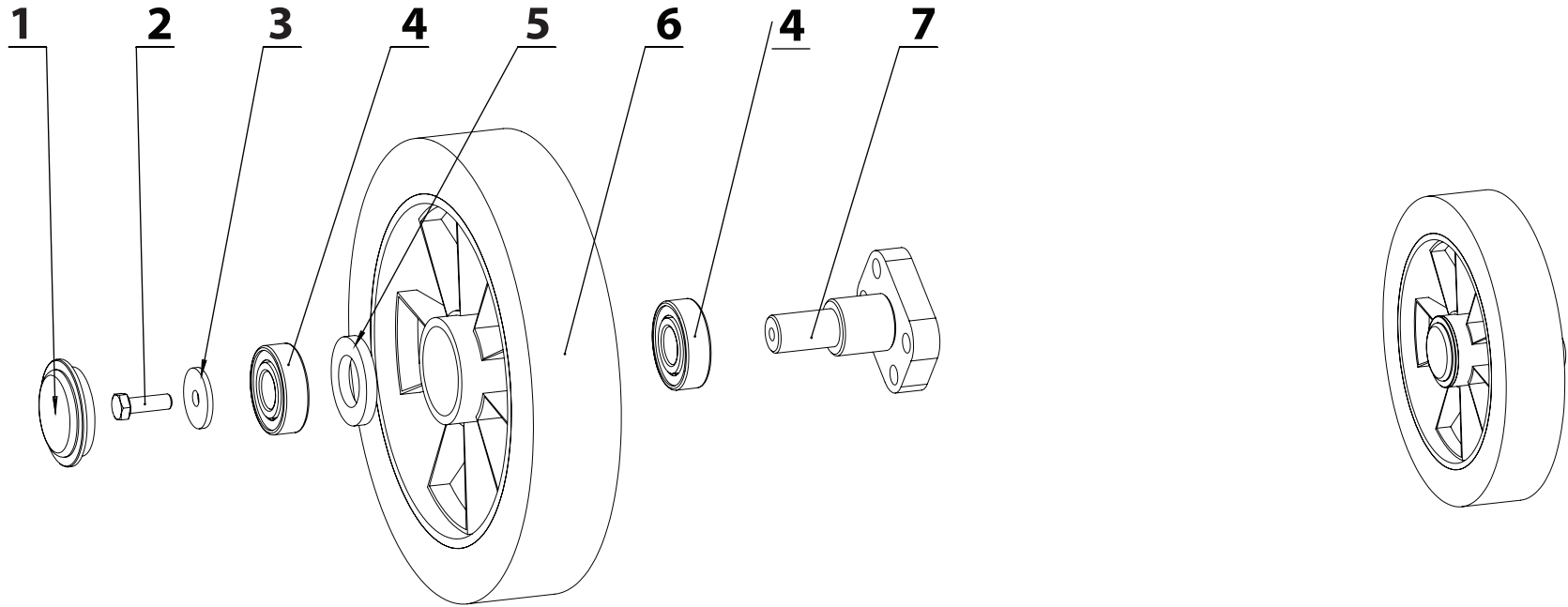
#	CODE	NAME	MODEL	QTY
1	3.22.122.017	Swing-Arm Rubber Sleeve	RSP-5	2
2	4.11.019.061	Clamping Cap, Powder Coated	RSP-5	2
3	4.11.041.096	Swing-Arm Handle, Powder Coated	RSP-5	1
4	3.31.101.005	Swing-Arm Lock Pin	RSP-5	1
5	2.21.017.015	Swing-Arm Weldment, Powder Coated	RSP-5	1
6	4.11.017.102	Rear Upper Cover Plate, Powder Coated	RSP-5	1
7	5.11.110.004	Cable Gland, M20 x 1.5	RSP-5	1
8	4.11.041.091	Swing-Arm Rear Cover Plate, Powder Coated	RSP-5	1
9	4.11.001.097	Decorative Cap	RSP-5	2
10	4.11.017.110	Rotary Shaft, Plated	RSP-5	1
11	4.11.017.030	Swing-Arm Pin Bushing, Plated	RSP-5	2

RSP-5 SWING ARM ASSEMBLY (HANDLE CONTROLS)



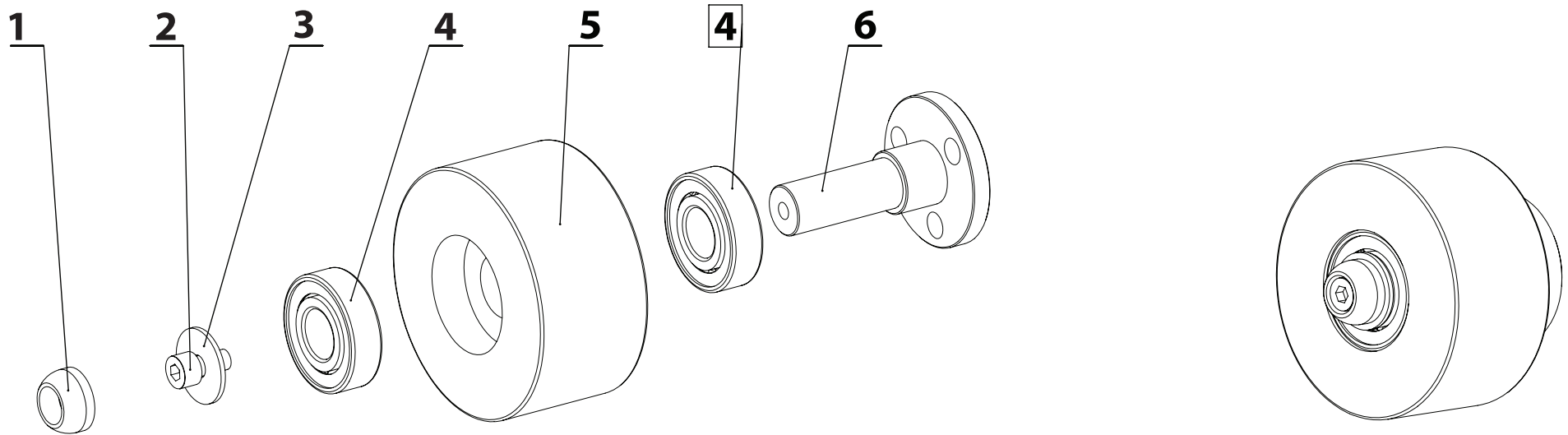
#	CODE	NAME	MODEL	QTY
1	3.21.117.005	Integrated Potentiometer	RSP-5	1
2	3.21.114.001	3-Position Switch	RSP-5	1
3	3.21.114.007	Rocker Switch	RSP-5	2
4	3.12.112.003	VFD Digital Operator	RSP-5	1
5	4.11.041.084	Operator Panel, Powder Coated	RSP-5	1
6	3.21.114.002	Emergency Stop Switch	RSP-5	1

RSP-5 WHEEL AXLE ASSEMBLY



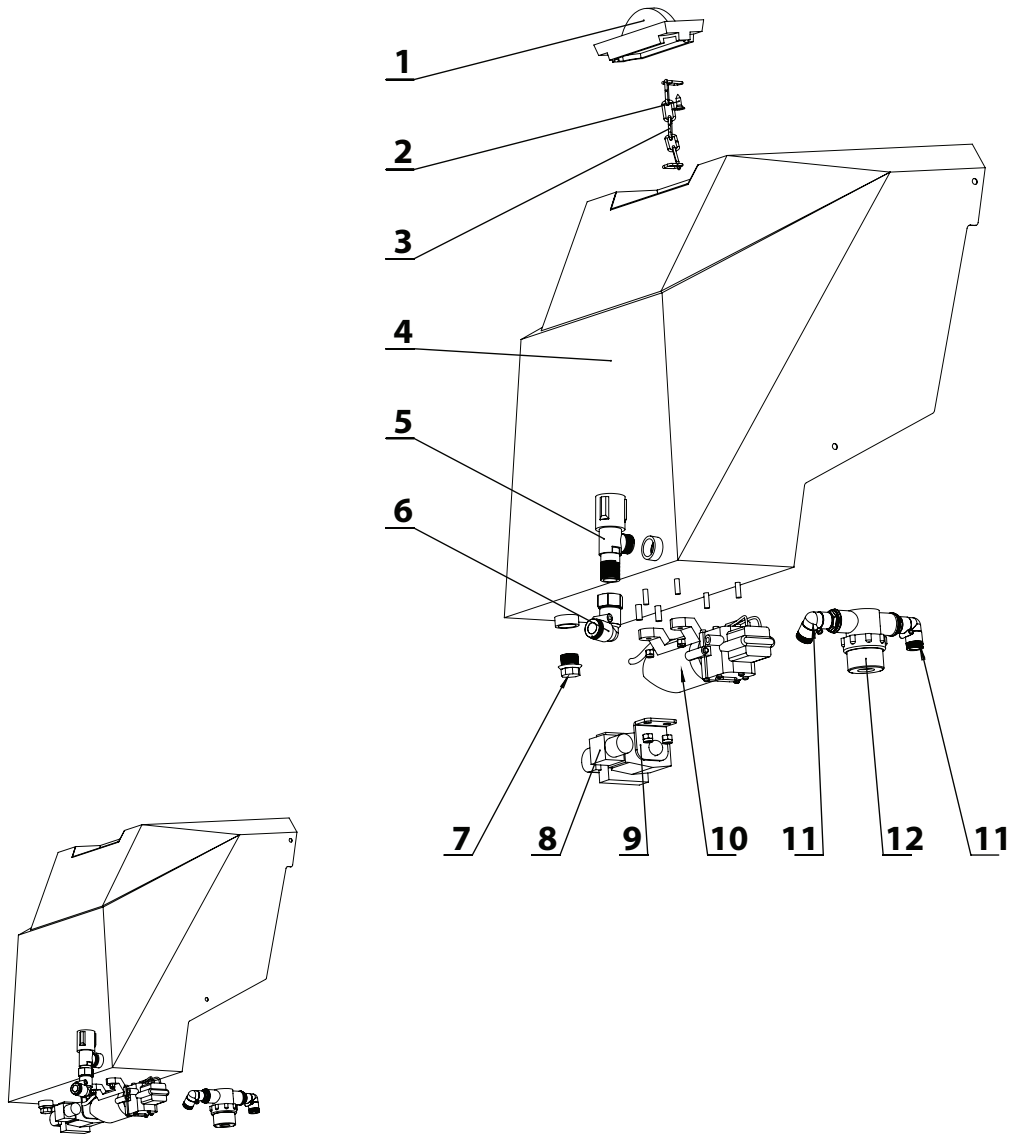
#	CODE	NAME	MODEL	QTY
1	3.22.111.006	Wheel Decorative Cap, Plastic	RSP-5	2
2	5.11.101.074	Stainless External Hex Screw M8 x 25	RSP-5	2
3	5.11.109.026	Plated Washer	RSP-5	1
4	3.22.112.081	Imported Bearing	RSP-5	1
5	3.22.201.001	Plastic Spacer	RSP-5	2
6	3.22.111.013	Aluminum Wheel	RSP-5	1
7	4.11.026.003	Adjustable Plate-Axle, Plated	RSP-5	1

RSP-5 ROLLER ASSEMBLY



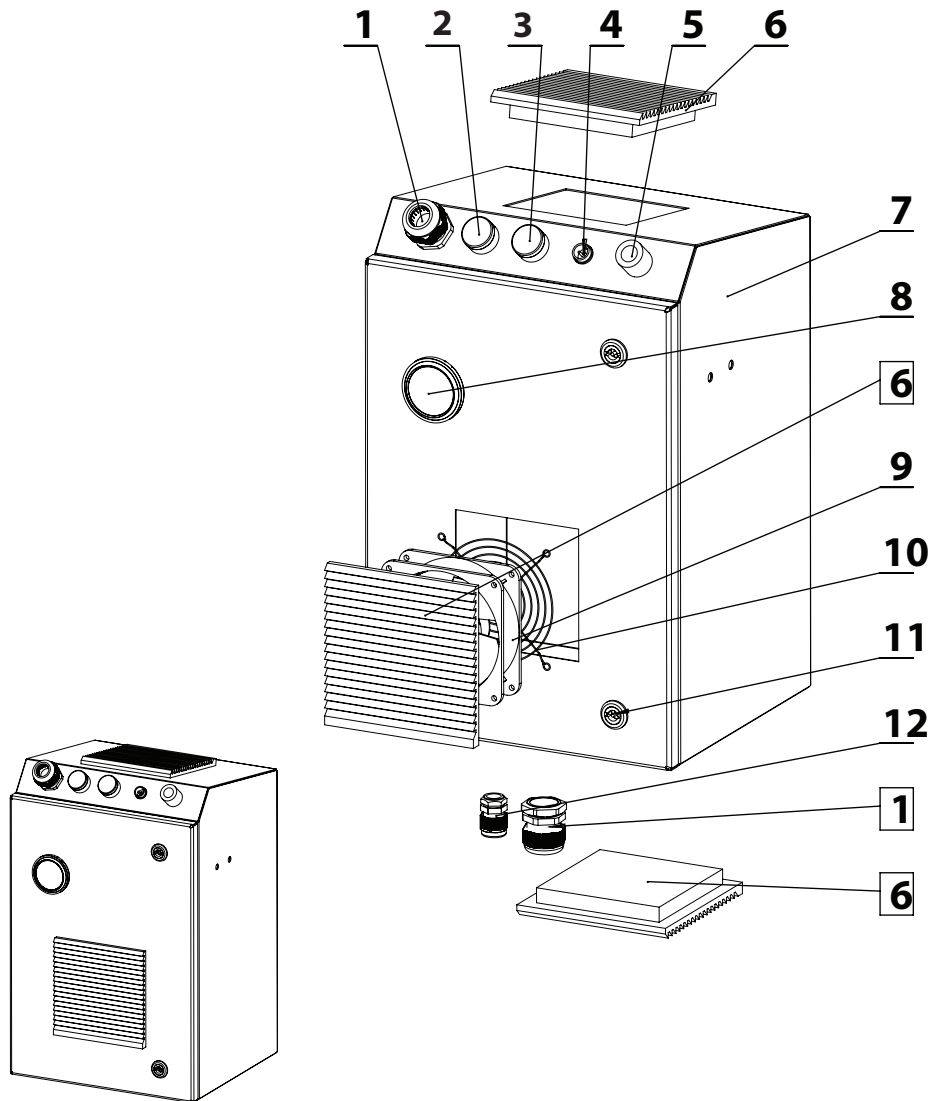
#	CODE	NAME	MODEL	QTY
1	4.11.001.097	Decorative Cap	RSP-5	1
2	5.11.101.040	Stainless Socket-Head Screw	RSP-5	1
3	5.11.109.074	Stainless Flat Washer, M8 x 30 x 2	RSP-5	1
4	3.22.112.081	Imported Bearing	RSP-5	2
5	4.11.041.083	Roller	RSP-5	1
6	4.11.041.075	Roller Shaft, Plated	RSP-5	1

RSP-5 WATER TANK ASSEMBLY



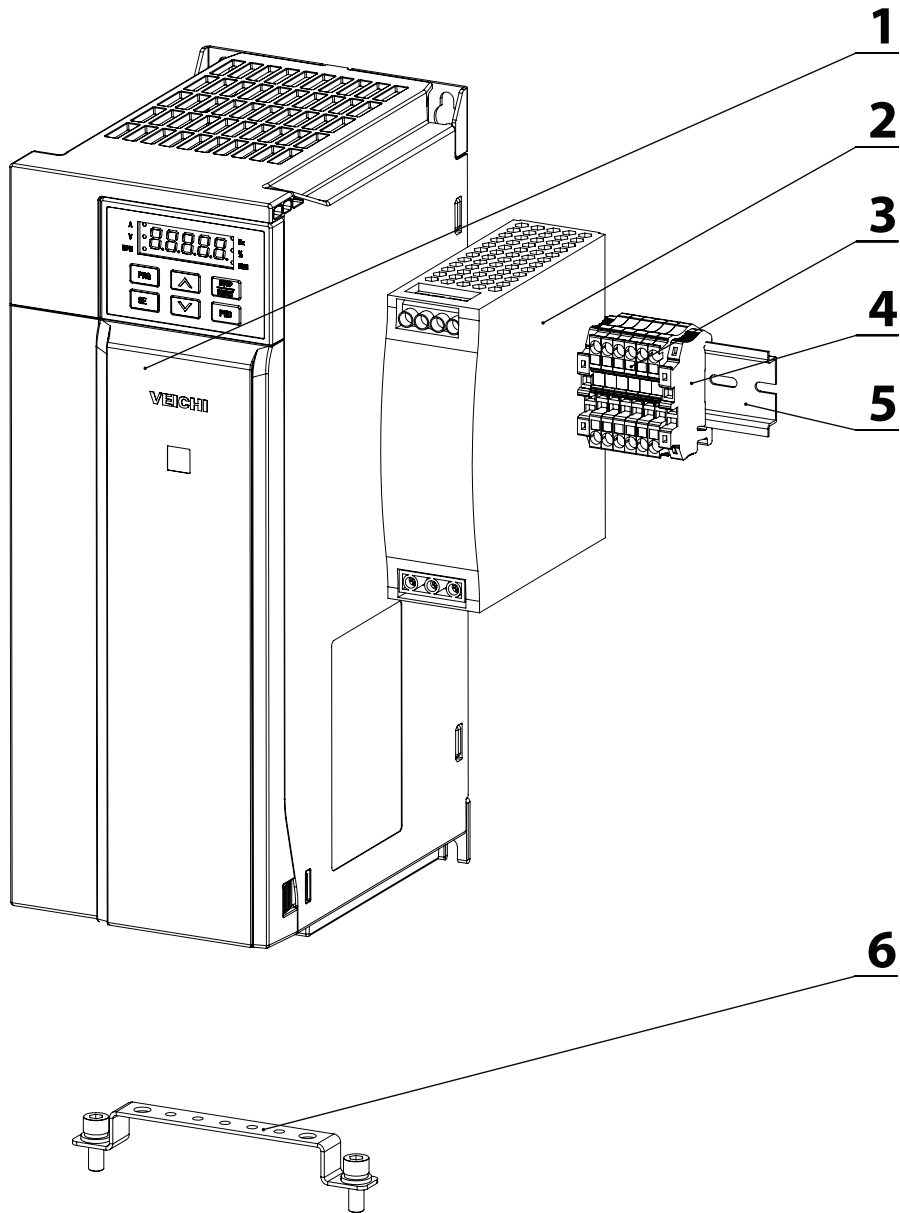
#	CODE	NAME	MODEL	QTY
1	4.11.017.150	Water Tank Cap	RSP-5	1
2	5.11.103.022	Stainless Flat-Head Self-Tapping Screw	RSP-5	1
3	3.22.201.012	Iron Chain	RSP-5	1
4	4.11.041.088	Water Tank, Powder Coated	RSP-5	1
5	3.15.113.001	Water Tank Valve w/ Cap	RSP-5	1
6	3.22.125.003	Pneumatic Fitting, 1/2" Female to 12 mm tube	RSP-5	1
7	3.22.126.001	Plug, 1/2" Thread	RSP-5	1
8	3.12.161.001	Solenoid Valve	RSP-5	1
9	4.11.029.152	Solenoid Valve Mount, Powder Coated	RSP-5	1
10	3.11.151.001	Dust Pump	RSP-5	1
11	3.22.125.009	Pneumatic Fitting	RSP-5	2
12	3.22.201.005	Filter	RSP-5	1

RSP-5 ELECTRICAL CONTROL BOX (PARTIAL)



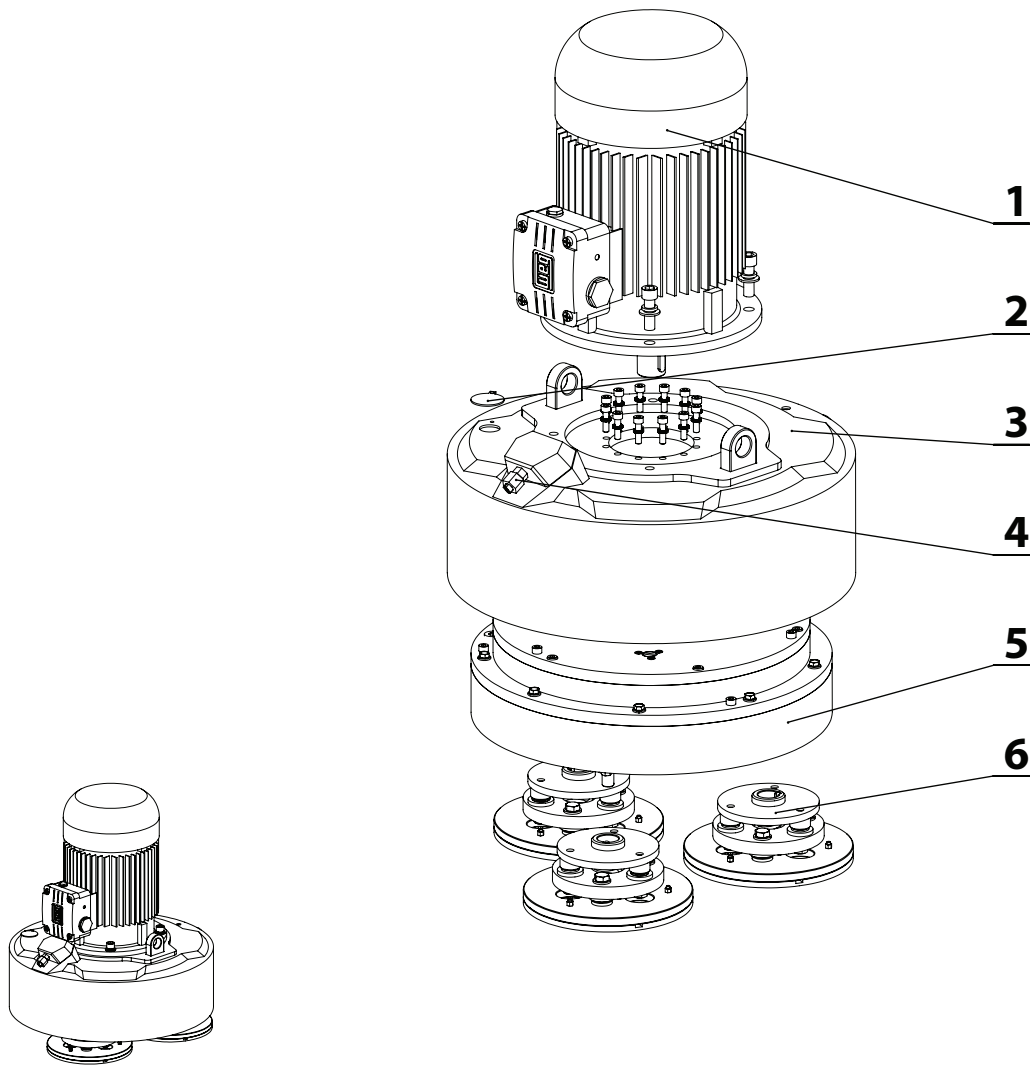
#	CODE	NAME	MODEL	QTY
1	5.11.110.002	Cable Gland	RSP-5	2
2	3.21.116.001	Red Indicator Light	RSP-5	1
3	3.21.116.002	Green Indicator Light	RSP-5	1
4	3.21.116.006	LED Lamp Socket	RSP-5	1
5	5.11.110.004	Cable Gland	RSP-5	1
6	3.21.115.002	Output Filter	RSP-5	1
7	4.11.041.090	Control Box Weldment, Powder Coated	RSP-5	1
8	3.21.119.001	Hour Meter	RSP-5	1
9	3.21.115.007	Fan, 220 v	RSP-5	1
10	3.21.115.004	Fan Guard, 120 x 120 mm	RSP-5	1
11	3.22.123.001	Cam Lock, 705 Slotted Large Key	RSP-5	2
12	5.11.110.001	Cable Gland	RSP-5	1

RSP-5 ELECTRICAL CONTROL BOX (PARTIAL)



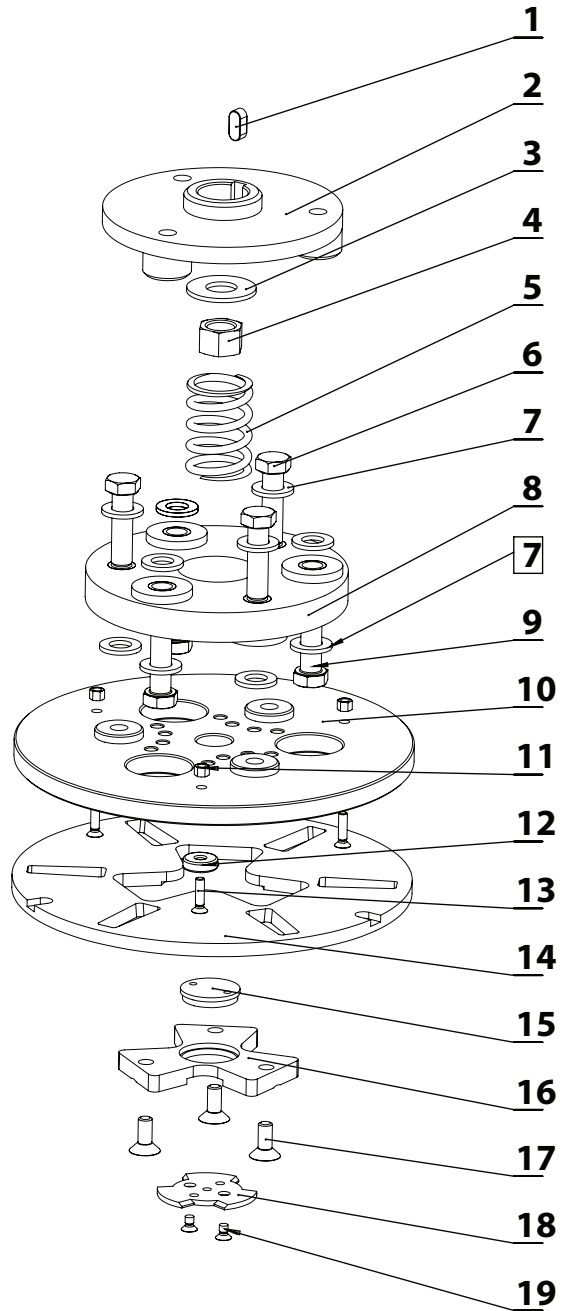
#	CODE	NAME	MODEL	QTY
1	3.12.111.012	VFD	RSP-5	1
2	3.21.111.004	Switching Power Supply	RSP-5	1
3	3.21.123.009	Terminal Block	RSP-5	6
4	3.21.123.009	Terminal Mount	RSP-5	2
5	3.23.116.001	DIN Rail	RSP-5	1
6	3.21.123.048	Ground Bus Bar	RSP-5	1

RSP-5 GEARBOX ASSEMBLY



#	CODE	NAME	MODEL	QTY
1	3.11.111.013	WEG Motor	RSP-5	1
2	3.22.163.021	Oil Cap (Small)	RSP-5	1
3	4.11.041.071	Gearbox Cover Weldment, Powder Coated	RSP-5	1
4	2.41.017.005	Spray Nozzle Assembly	RSP-5	1
5	3.13.112.055	Gearbox	RSP-5	1
6	2.41.041.013	Grinding Plate Assembly	RSP-5	3

RSP-5 GRINDING PLATE ASSEMBLY



#	CODE	NAME	MODEL	QTY
1	3.22.118.001	Key, 8 x 18	RSP-5	1
2	3.22.116.006	Upper Flange, Powder Coated	RSP-5	1
3	5.11.109.027	Stainless Flat Washer	RSP-5	1
4	5.11.106.005	Stainless Nut	RSP-5	1
5	3.22.120.006	Grinding Plate Spring, Galvanized	RSP-5	1
6	5.11.101.144	Hex Bolt, M12 x 45	RSP-5	3
7	5.11.109.014	Stainless Flat Washer	RSP-5	14
8	3.22.117.033	Rubber Pad	RSP-5	1
9	5.11.101.048	Hex Bolt, M12 x 50, Galvanized	RSP-5	3
10	3.14.112.105	Fixed Plate, Powder Coated	RSP-5	1
11	5.11.106.006	Stainless Nut	RSP-5	3
12	3.22.114.002	Magnet	RSP-5	3
13	5.11.103.006	Countersunk Phillips Screw	RSP-5	3
14	3.14.112.104	Round Grinding Plate, Plated	RSP-5	1
15	4.19.001.025	Butterfly Lock Rotating Center Piece	RSP-5	1
16	4.19.001.027	Butterfly Lock Triangular Fixed Piece	RSP-5	1
17	5.11.101.031	Stainless Flat Head Socket Screw, M8 x 20	RSP-5	3
18	4.19.001.026	Butterfly-Lock Triangular Rotating Piece	RSP-5	1
19	5.11.103.020	Stainless Flat-Head Screw, M5 x 8	RSP-5	2