

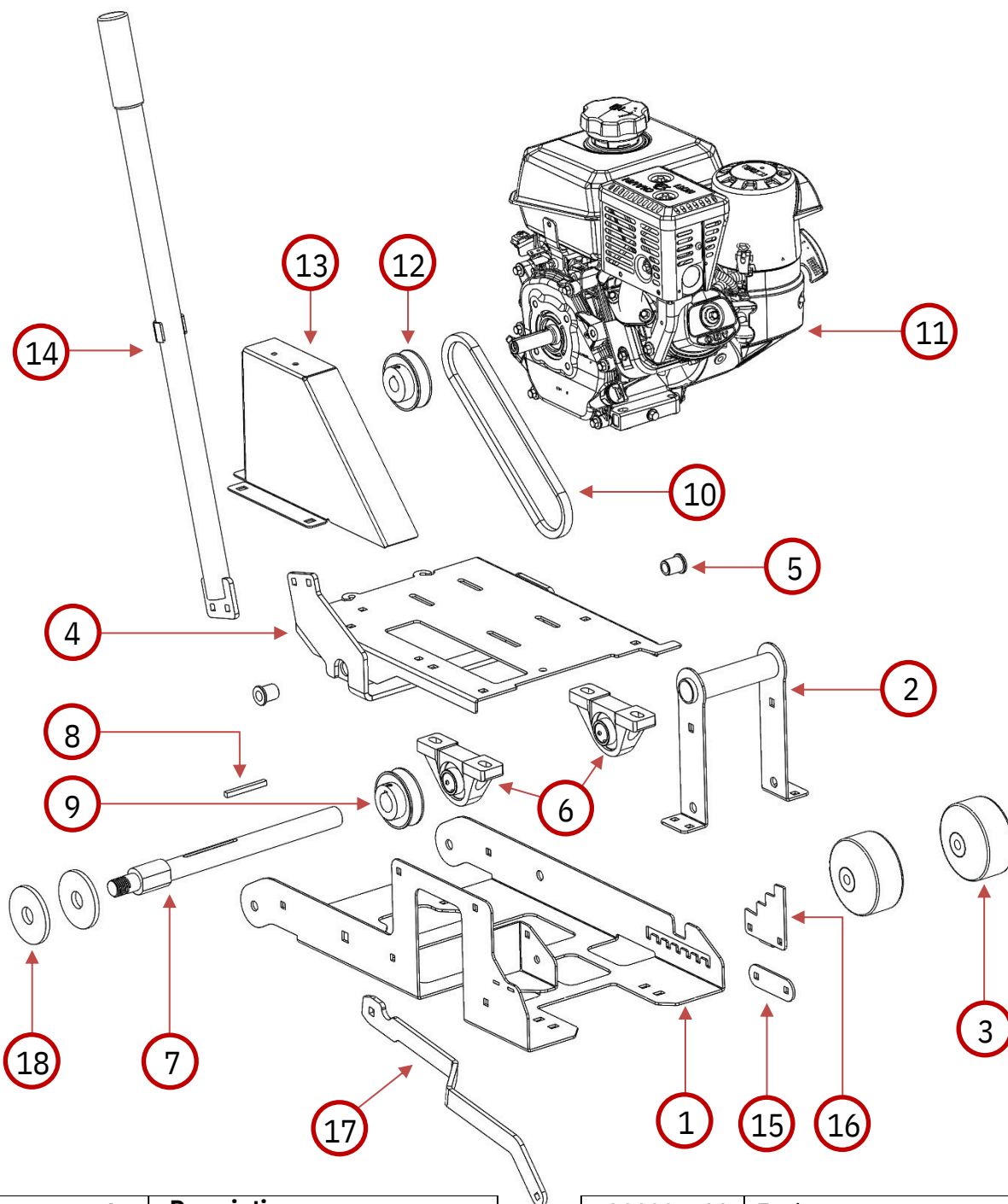
GorillaConcreteTools

GS-100 Early Entry

Product Manual

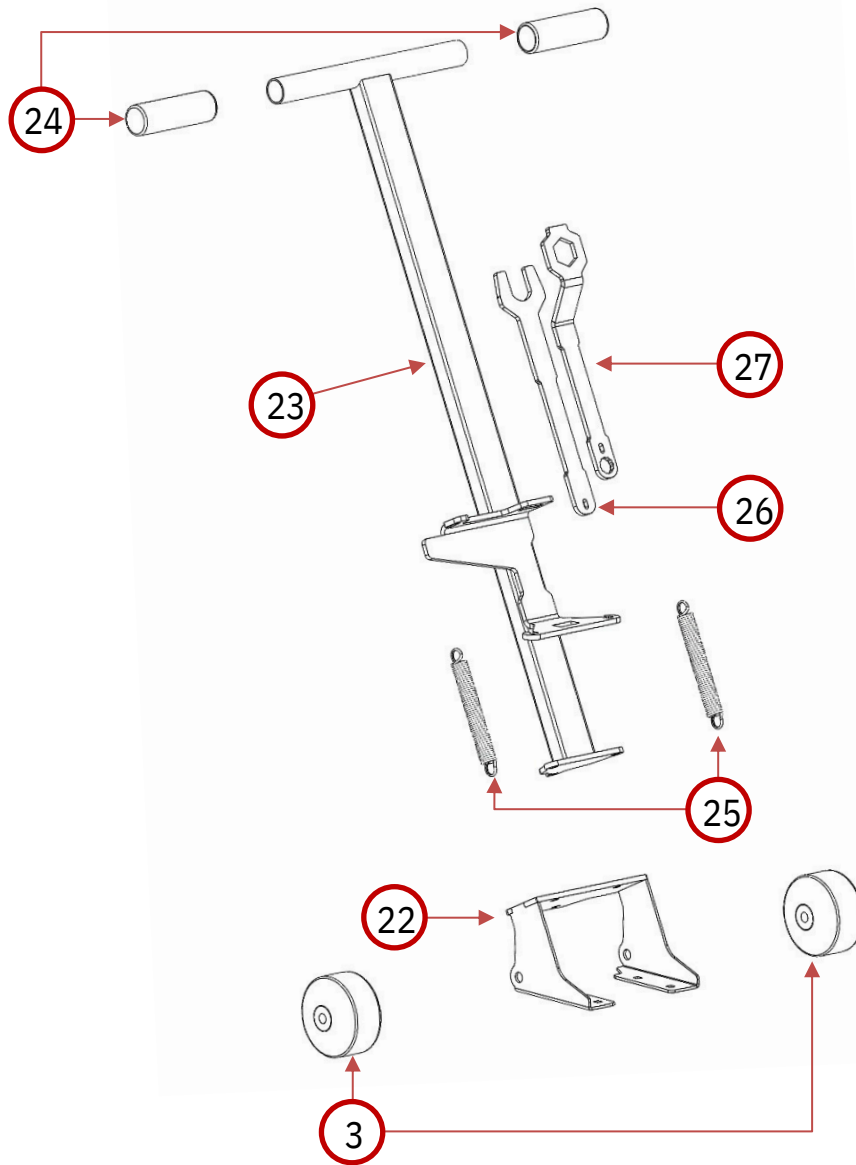


Parts Diagram



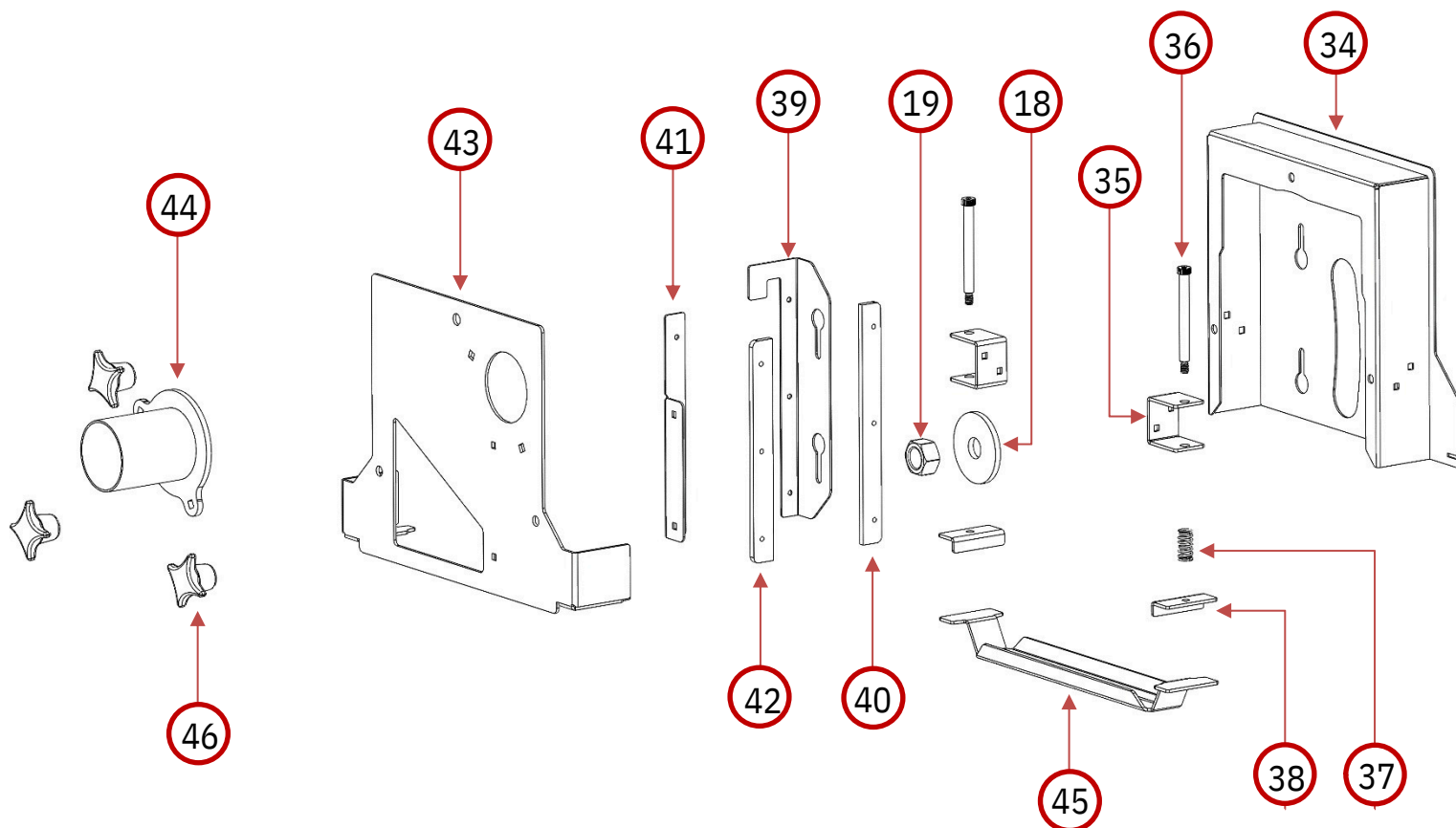
Part Number	Description
GS100 - 1	Saw Base
GS100 - 2	Front Wheel Mount
GS100 - 3	4" Saw Wheel
GS100 - 4	Motor Plate
GS100 - 5	Motor Plate Bushing
GS100 - 6	Blade Shaft Bearing
GS100 - 7	Blade Shaft
GS100 - 8	Blade Shaft Key
GS100 - 9	Blade Shaft Pulley
GS100 - 10	Drive Belt

GS100 - 11	Engine
GS100 - 12	Drive Pulley
GS100 - 13	Belt Cover
GS100 - 14	Lift/Lower Handle
GS100 - 15	Depth Stop Backer
GS100 - 16	Depth Stop
GS100 - 17	Pointer Arm
GS100 - 18	Blade Clamp
GS100 - 19	Blade Shaft Nut
GS100 - 20	Engine Shaft Key



Part Number	Description
GS100 – 22	Handle Mount
GS100 – 23	Saw Handle
GS100 – 24	Handle Grip
GS100 – 25	Motor Plate Tension Spring
GS100 – 26	Blade Shaft Wrench
GS100 – 27	Blade Nut Wrench

GS-100 Early Entry Dust Box



Part Number	Description
GS100 - 34	Dust Box
GS100 - 35	Tensioner Slide Mount
GS100 - 36	Tensioner Slide
GS100 - 37	Skid Plate Tensioning Spring
GS100 - 38	Skid Plate Tensioner
GS100 - 39	Dust Box Internal Baffle
GS100 - 40	Internal Baffle Plate
GS100 - 41	Dust Box Door Baffle
GS100 - 42	Door Baffle Plate
GS100 - 43	Dust Box Door
GS100 - 44	Dust Port
GS100 - 45	Skid Plate
GS100 - 46	4-arm knob
GS100 - 47	Dust Port Block Off Plate (not pictured)
GS100 - 48	Complete Dust Box Assembly

Product Set-Up

Warnings! This Saw is made for outdoor use only

Follow the engine manufactures manual prior to saw set-up.
These instructions are only intended to show you the set-up of our saw.
Do not use until you have been trained on how to properly operate a walk behind concrete saw.



Stay clear of others while in operation.
Debris can fly from blade area.
Eye and face protection required.



Respirator required.
Operate in well ventilated area.



Ear protection required.

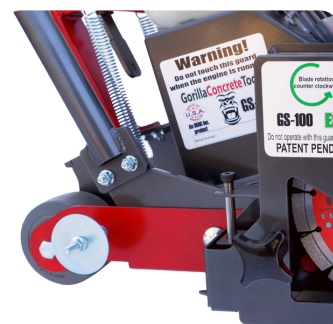
Figure 1



Initial Set Up

1. Using the hardware provided install the handle onto the handle mount using a 1/2" wrench.
2. Attach the **2** extension springs from the handle to the motor plate. (Fig. 1)
3. Attach the lift/lower handle with the provided hardware as show in Figure 2.
4. Add 0.63 qts 10W-30 oil and gasoline. With motor level, fill line prior to running.

Figure 2



Blade Removal and Installation

Ensure engine switch is in the off position

1. Remove the three 4-arm knobs on the outside of the dust box and pull the door away from the unit. (Fig. 3)
2. Loosen the nut on the blade shaft using the wrenches provided (Fig. 4). The flat wrench is used on the shaft between the dust box and the engine or access hole in top of Dust box.
3. Place one washer on either side of the blade (Fig. 5). Ensure the blade is oriented for a counter-clockwise rotation.
4. Install all hardware and completely tighten.

Figure 3

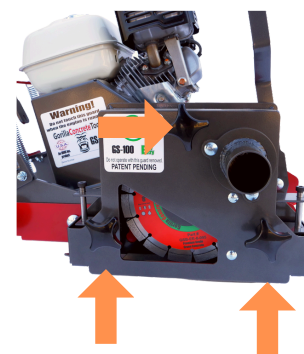


Figure 4

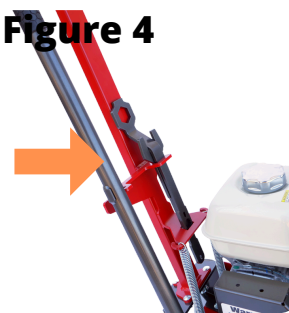
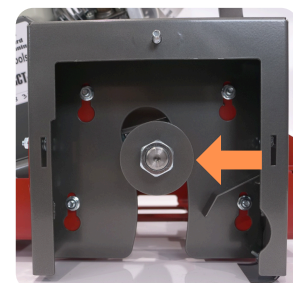


Figure 5



Blade Pointer Alignment

Install the blade before aligning pointers

1. Lower the pointer arm
2. Place a straight edge against the blade spanning from the rear pointer to the front pointer
3. Using a 1/2" wrench, loosen the pointer shown in Fig. 6 and align them with your straight edge.
4. Tighten all loose hardware.

Figure 6

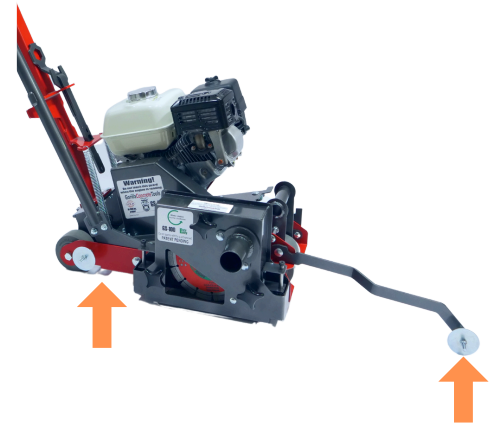
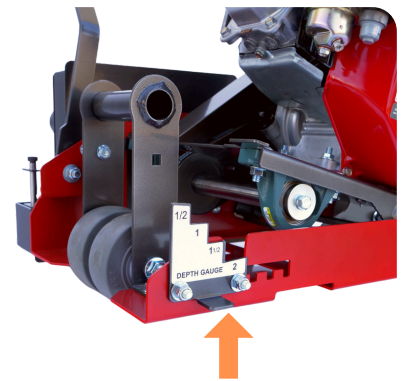


Figure 7



Quick Blade Depth (Fig. 7)

The blade depth gauge features reference points with 1/2" depth increments up to 2" depth.

1. Lift depth stop in channel.
2. Slide left or right, and drop into alignment grooves for desired depth.

About Us

Easy to Operate | Hard to Break | Simple to Fix

When we started Gorilla Concrete Tools we had two goals in mind: to get people off their hands and knees and to reduce the risks associated with concrete dust exposure. And we have continued building equipment following those two principles making most of our saws silica dust compliant while also easy to operate, hard to break, and simple to fix.

We manufacture all of our equipment right here in the United States of America within our own facility in Columbia Station, Ohio, to ensure that those principles are followed and to guarantee we are making a quality product for our consumers.

Made in America. Columbia Station, Ohio 