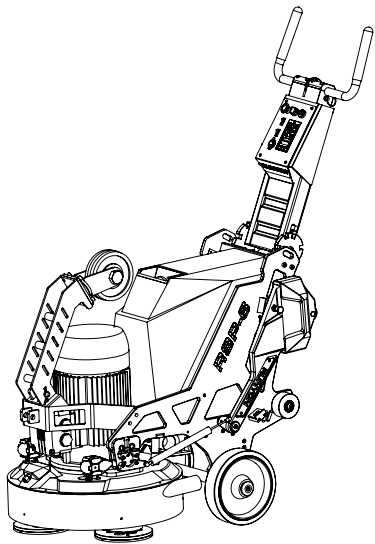
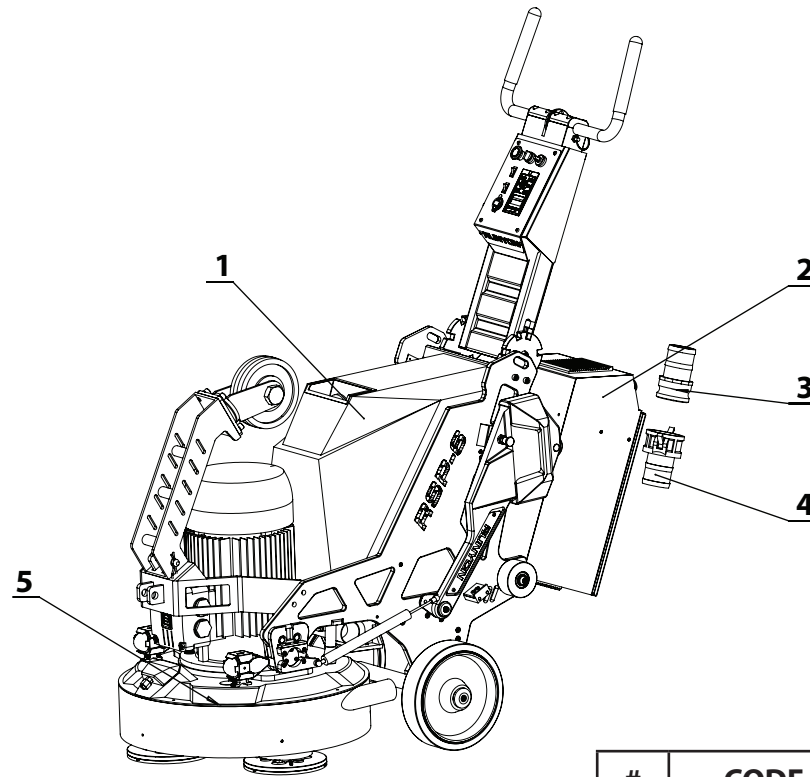


# RSP-6 GRINDER PARTS BREAKDOWN LIST

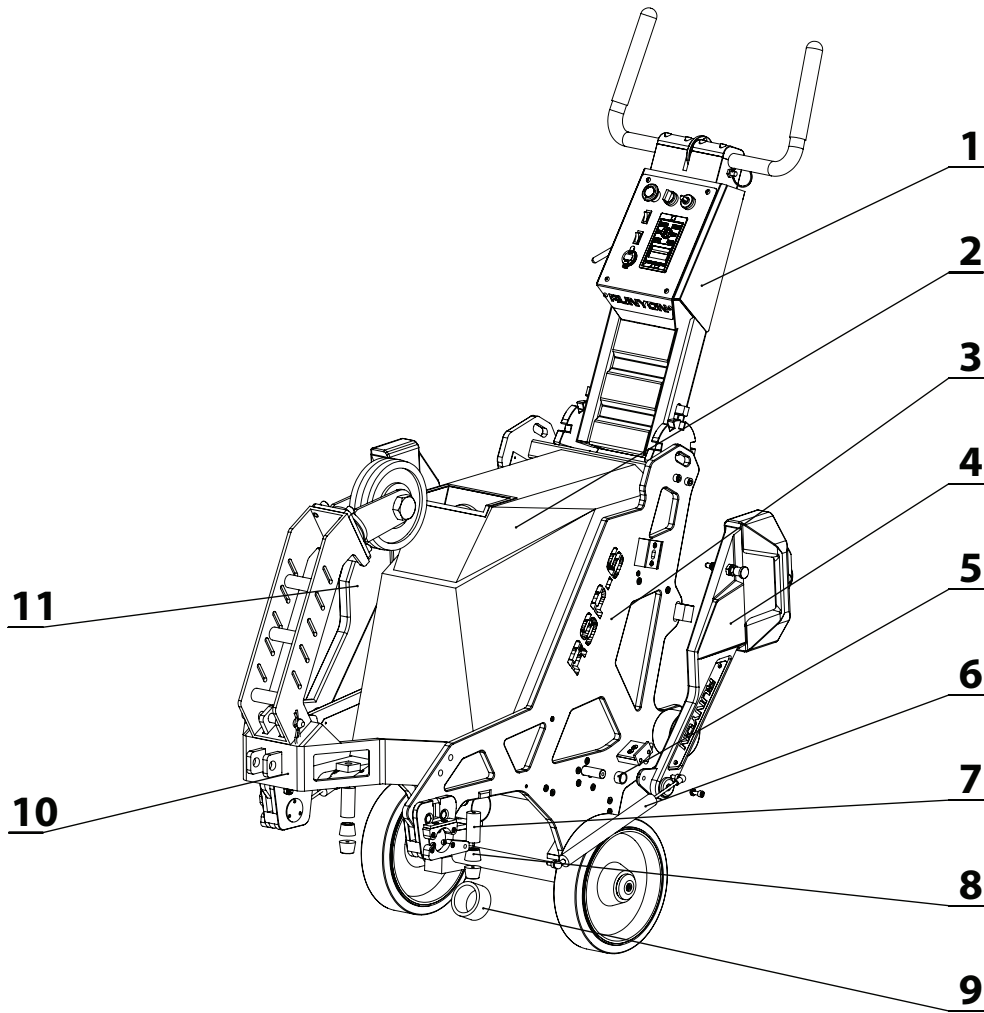


# RSP-6 GRINDER TOP-LEVEL



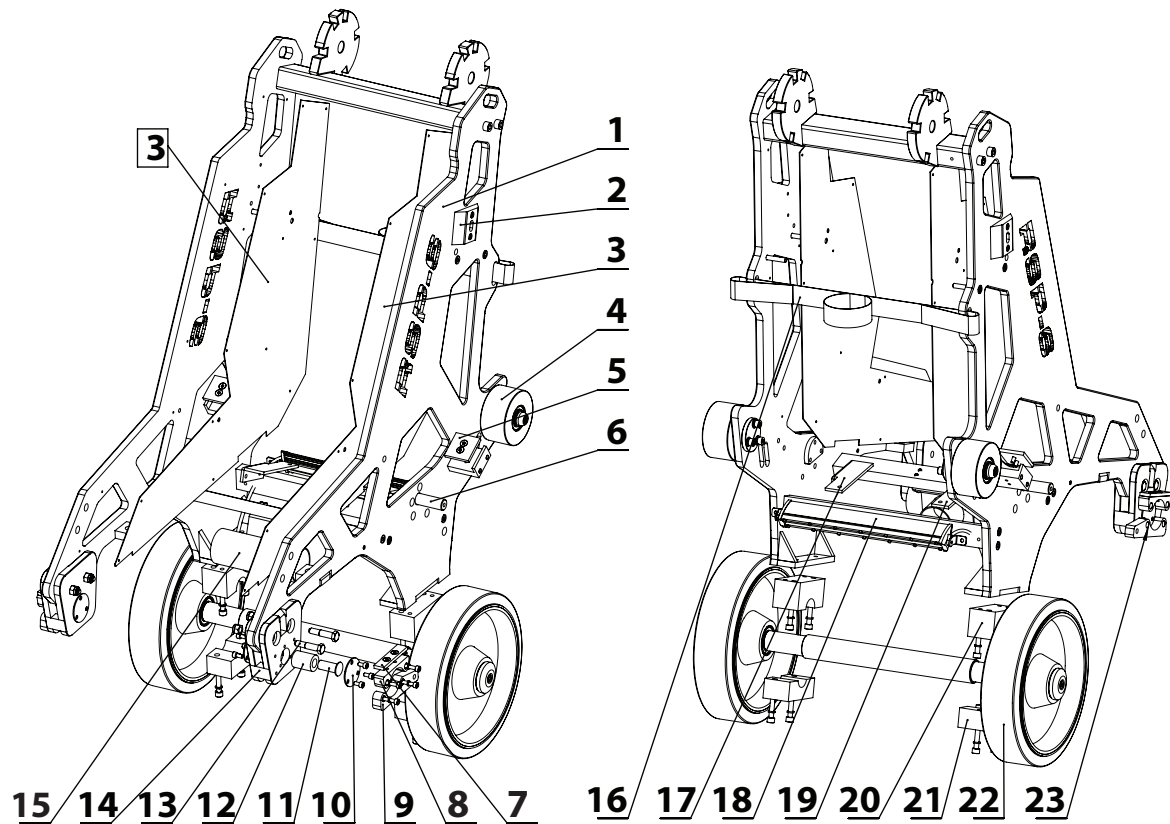
#	CODE	NAME	MODEL	QTY
1	2.11.040.012	Frame Components	RSP-6	1
2	2.13.040.019	Electrical Control Box Assembly	RSP-6	1
3	3.22.126.108	Front Dust Hose Connector Aluminum Alloy	RSP-6	1
4	3.22.126.107	Rear Dust Hose Connector	RSP-6	1
5	2.12.040.016	Gearbox Assembly Butterfly Buckle Disc	RSP-6	1

# RSP-6 FRAME COMPONENTS



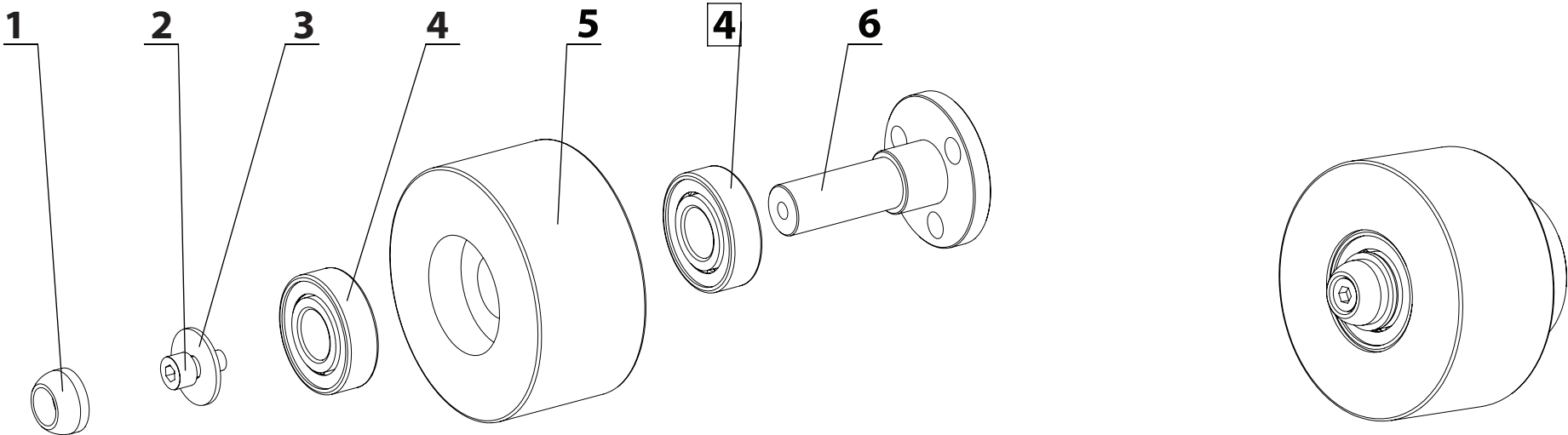
#	CODE	NAME	MODEL	QTY
1	2.41.040.029	Swing Handle Assembly	RSP-6	1
2	2.41.040.027	Water Tank Assembly	RSP-6	1
3	2.41.040.030	Frame Assembly	RSP-6	1
4	2.41.040.026	Left Counterweight Assembly	RSP-6	1
5	4.11.029.076	Spacer (Chrome Plated)	RSP-6	2
6	3.22.120.013	Gas Spring, M10 Ball Head	RSP-6	2
7	4.11.018.001	Machine Footpad Support Post	RSP-6	2
8	3.22.117.003	Rubber Machine Footpad	RSP-6	4
9	4.11.092.036	Nylon Connector, Gearbox Cover Connector	RSP-6	1
10	2.41.040.031	Front Guide Wheel Assembly	RSP-6	1
11	2.41.040.019	Right Counterweight Assembly	RSP-6	1

# RSP-6 FRAME ASSEMBLY



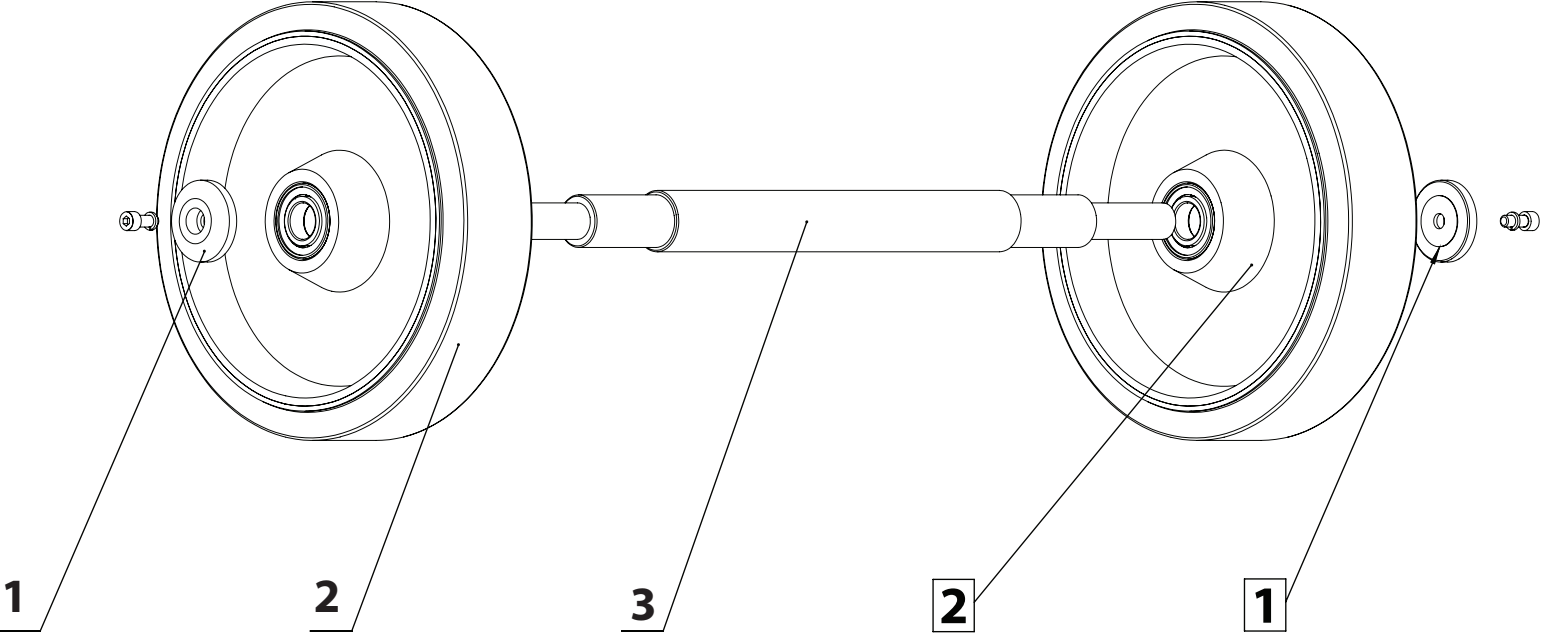
#	CODE	NAME	MODEL	QTY
1	4.11.040.097	Frame Weldment, Powder Coated	RSP-6	1
2	4.11.001.033	Middle Fixing Block, Plated	RSP-6	2
3	4.11.040.095	Frame Decorative Panel, Powder Coated	RSP-6	2
4	2.41.041.010	Roller Assembly	RSP-6	2
5	4.11.018.086	Anti-Vibration Rubber	RSP-6	2
6	4.11.018.015	Counterweight Shaft	RSP-6	2
7	4.11.018.116	Shock-Absorbing Pad	RSP-6	2
8	4.11.018.092	Front-Counterweight Fixing Block, Plated	RSP-6	2
9	4.11.018.016	Left Gas-Spring Anchor Block, Plated	RSP-6	1
10	4.11.001.047	Dynamic Balance Cover Plate	RSP-6	4
11	4.11.001.048	Dynamic Balance Pin, Plated	RSP-6	2
12	3.22.122.003	Mounting-Ear Rubber Sleeve	RSP-6	2
13	5.11.101.037	Reamed Hole Hex Bolt, Chrome Plated	RSP-6	4
14	4.11.018.104	Link Plate, Plated	RSP-6	2
15	3.22.126.014	Three-Way Welded Connector	RSP-6	1
16	5.11.102.003	Dust-Hose Fixing Strap	RSP-6	1
17	4.11.018.142	Lower Fixing Sheet-Metal, Left Painted	RSP-6	1
18	3.21.116.010	LED Light Bar, 34 cm, 12 LEDs	RSP-6	1
19	4.11.018.078	Lower-Fixing Sheet Metal, Right Painted	RSP-6	1
20	4.11.040.065	Rear Axle Plate, Powder Coated	RSP-6	2
21	4.11.040.064	Axle Lock Powder Coated	RSP-6	2
22	2.41.040.001	Wheel Axle Assembly	RSP-6	1
23	4.11.018.017	Right-Gas Spring Anchor Block, Plated	RSP-6	1

# RSP-6 ROLLER ASSEMBLY



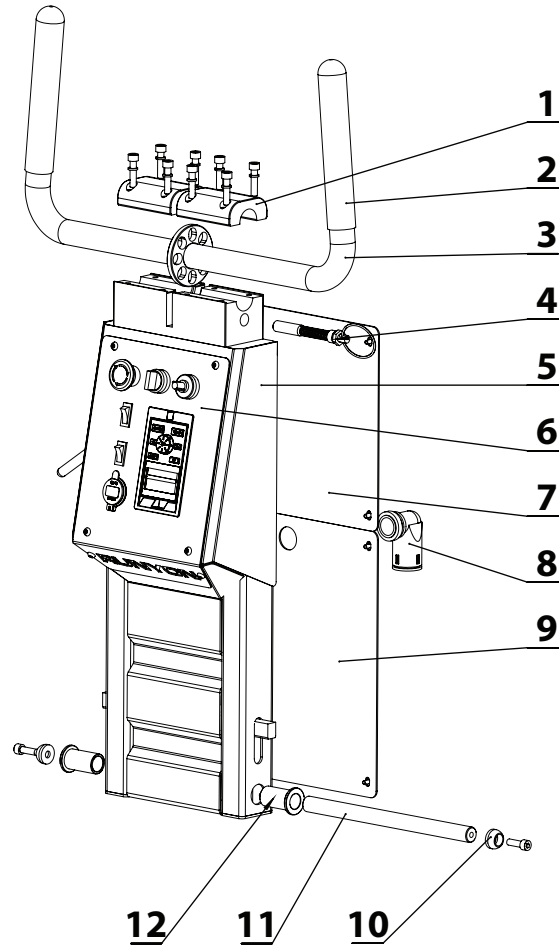
#	CODE	NAME	MODEL	QTY
1	4.11.001.097	Swing-Handle Decorative Cap	RSP-6	1
2	5.11.101.040	SS Socket-Head Cap Screw	RSP-6	1
3	5.11.109.074	SS Flat Washer, M8 x 30 x 2	RSP-6	1
4	3.22.112.081	Bearings	RSP-6	2
5	4.11.041.083	Roller	RSP-6	1
6	4.11.041.075	Roller Shaft, Chrome Plated	RSP-6	1

# RSP-6 WHEEL AXLE ASSEMBLY

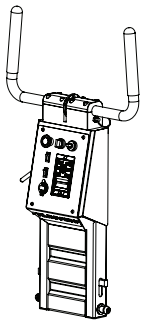


#	CODE	NAME	MODEL	QTY
1	4.11.040.020	Wheel Cover, Plated	RSP-6	2
2	3.22.111.062	Rubber Aluminum Core Wheel	RSP-6	2
3	4.11.040.012	Axle, Plated	RSP-6	1

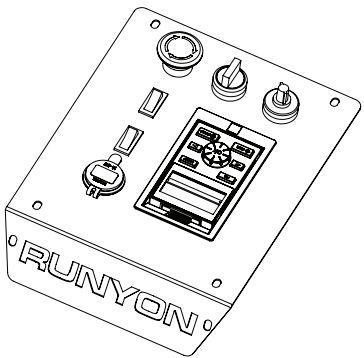
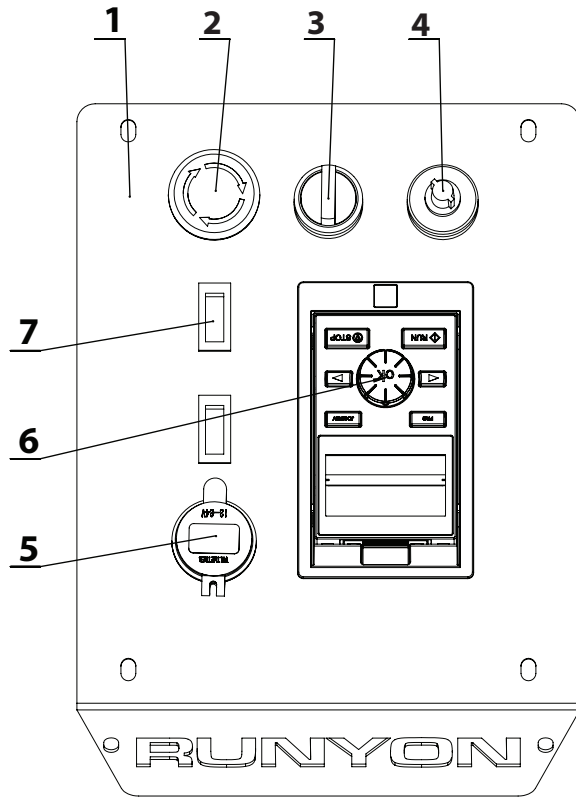
# RSP-6 SWING-HANDLE ASSEMBLY



#	CODE	NAME	MODEL	QTY
1	4.11.018.136	Clamping Cover	RSP-6	2
2	3.22.122.018	Swing-Handle Rubber Sleeve, Red	RSP-6	2
3	4.11.040.105	Swing-Handle Grip, Powder Coated	RSP-6	1
4	3.31.101.007	Swing-Handle Latch Pin	RSP-6	1
5	2.21.040.009	Dynammic Balance Cover Plate	RSP-6	2
6	2.41.040.028	Swing-Handle Panel Assembly	RSP-6	1
7	4.11.018.137	Rear Upper Cover Plate, Powder Coated	RSP-6	1
8	5.11.110.006	Cable Gland, Elbow Plastic	RSP-6	1
9	4.11.040.061	Rear Cover Plate, Powder Coated	RSP-6	1
10	4.11.001.097	Decorative Cap	RSP-6	2
11	4.11.018.162	Rotating Shaft, Plated	RSP-6	1
12	4.11.018.056	Latch-Pin Bushing	RSP-6	2

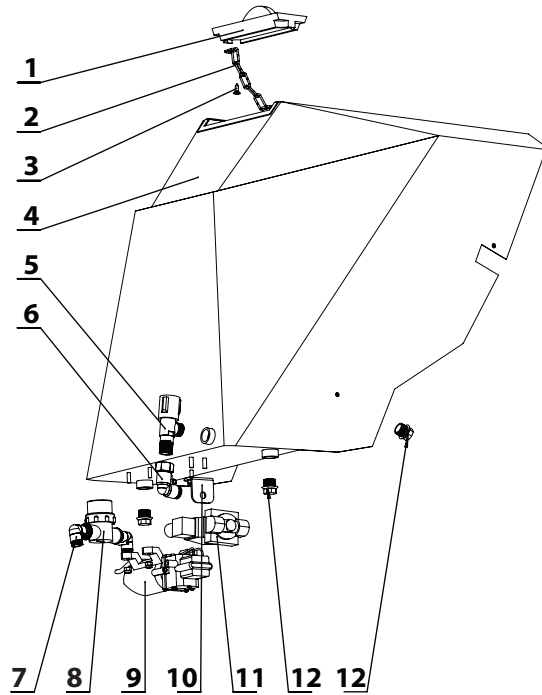


# RSP-6 SWING-HANDLE PANEL ASSEMBLY

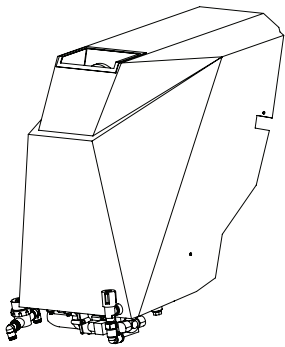


#	CODE	NAME	MODEL	QTY
1	4.11.040.093	Operator Panel, Powder Coated Red	RSP-6	1
2	3.21.114.002	Emergency Stop Switch	RSP-6	1
3	3.21.114.001	3-Position Switch	RSP-6	1
4	3.21.117.005	Integrated Potentiometer	RSP-6	1
5	3.21.118.002	USB Port	RSP-6	1
6	3.12.112.001	VFD Digital Operator Keypad	RSP-6	1
7	3.21.114.007	Rocker Switch	RSP-6	2

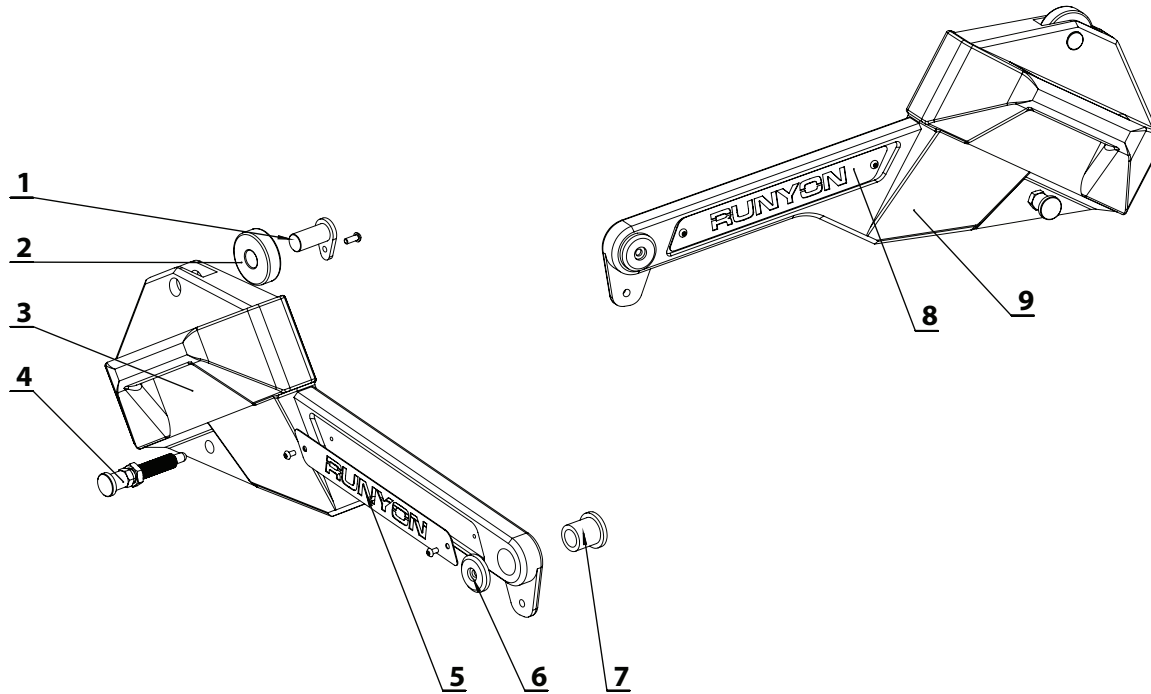
# RSP-6 WATER TANK ASSEMBLY



#	CODE	NAME	MODEL	QTY
1	4.11.018.193	Water Tank Cap	RSP-6	1
2	3.22.201.012	Chain, 1.2 mm	RSP-6	1
3	5.11.103.022	SS Flat-Head Self-Tapping Screw	RSP-6	1
4	4.11.040.091	Water Tank Powder Coated	RSP-6	1
5	3.15.113.001	Water Switch With Cap, For SS Tank	RSP-6	1
6	3.22.125.003	Pneumatic Fitting, Female	RSP-6	1
7	3.22.125.009	Pneumatic Fitting, Male	RSP-6	2
8	3.22.201.005	Filter, 777-4E	RSP-6	1
9	3.11.151.001	Dust-Suppression Pump	RSP-6	1
10	4.11.029.152	Solenoid-Valve Mounting Bracket Powder Coated	RSP-6	1
11	92.52.15.603	Solenoid Valve, DC24V	RSP-6	1
12	3.22.126.001	Plug, 1/2" Pipe Thread	RSP-6	3

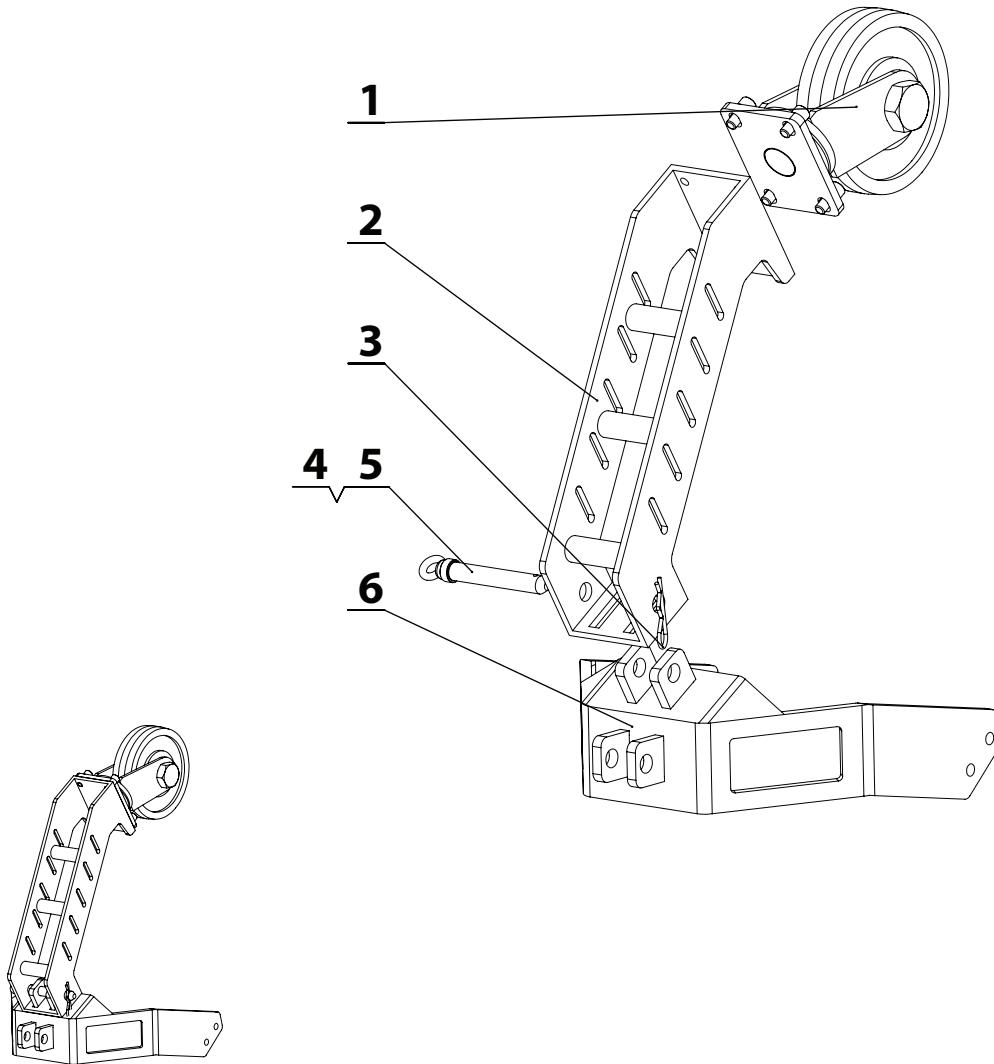


# RSP-6 RIGHT / LEFT COUNTERWEIGHT ASSEMBLY



#	CODE	NAME	MODEL	QTY
1	4.11.018.101	Counterweight Pivot Shaft, Plated	RSP-6	1
2	4.11.022.076	Counterweight Wheel, Black Nylon	RSP-6	1
3	4.11.040.111	Left Counterweight Iron, Powder Coated	RSP-6	1
4	3.22.121.001	Indexing Plunger, M16 Fine Thread	RSP-6	1
5	4.11.040.113	Left Counterweight Nameplate, Powder Coated	RSP-6	1
6	4.11.022.061	Pivot Cover, Chrome Plated	RSP-6	1
7	3.22.112.078	Flanged Oil-Free Bronze Bushing	RSP-6	1
8	4.11.040.112	Right Iron Nameplate	RSP-6	1
9	4.11.040.110	Left Iron Nameplate	RSP-6	1

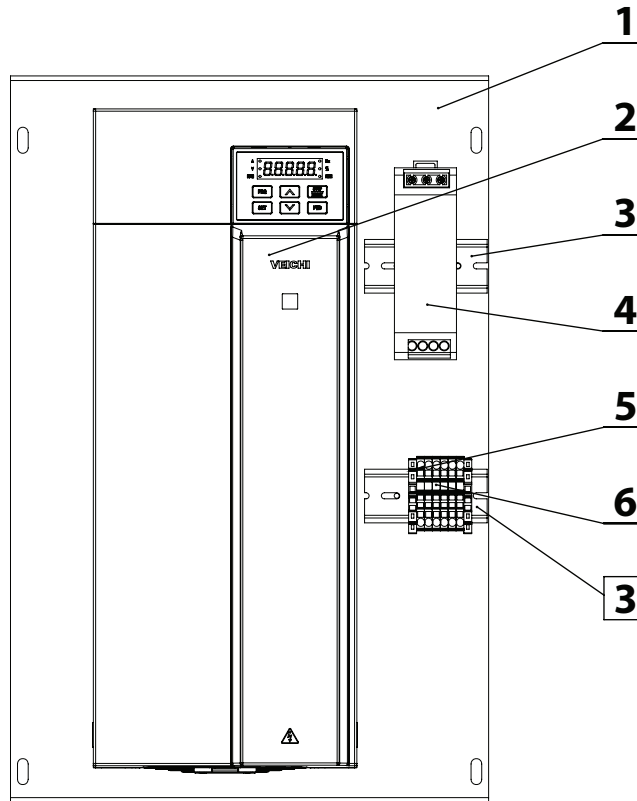
# RSP-6 FRONT GUIDE WHEEL ASSEMBLY



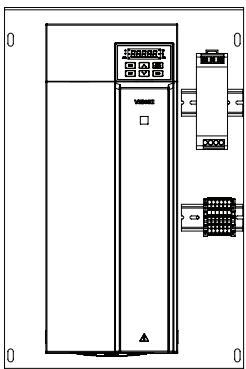
#	CODE	NAME	MODEL	QTY
1	3.22.111.059	Swivel Caster, 8" Black	RSP-6	1
2	4.11.040.109	Front-Wheel Support Bracket, Painted	RSP-6	1
3	3.22.121.004	R-Pin, 4" x 75"	RSP-6	1
4	5.11.161.001	Eye Bolt Male Thread	RSP-6	1
5	4.11.049.013	Fixed Pin, Plated	RSP-6	1
6	4.11.040.108	Front-Wheel Support Plate, Painted	RSP-6	1



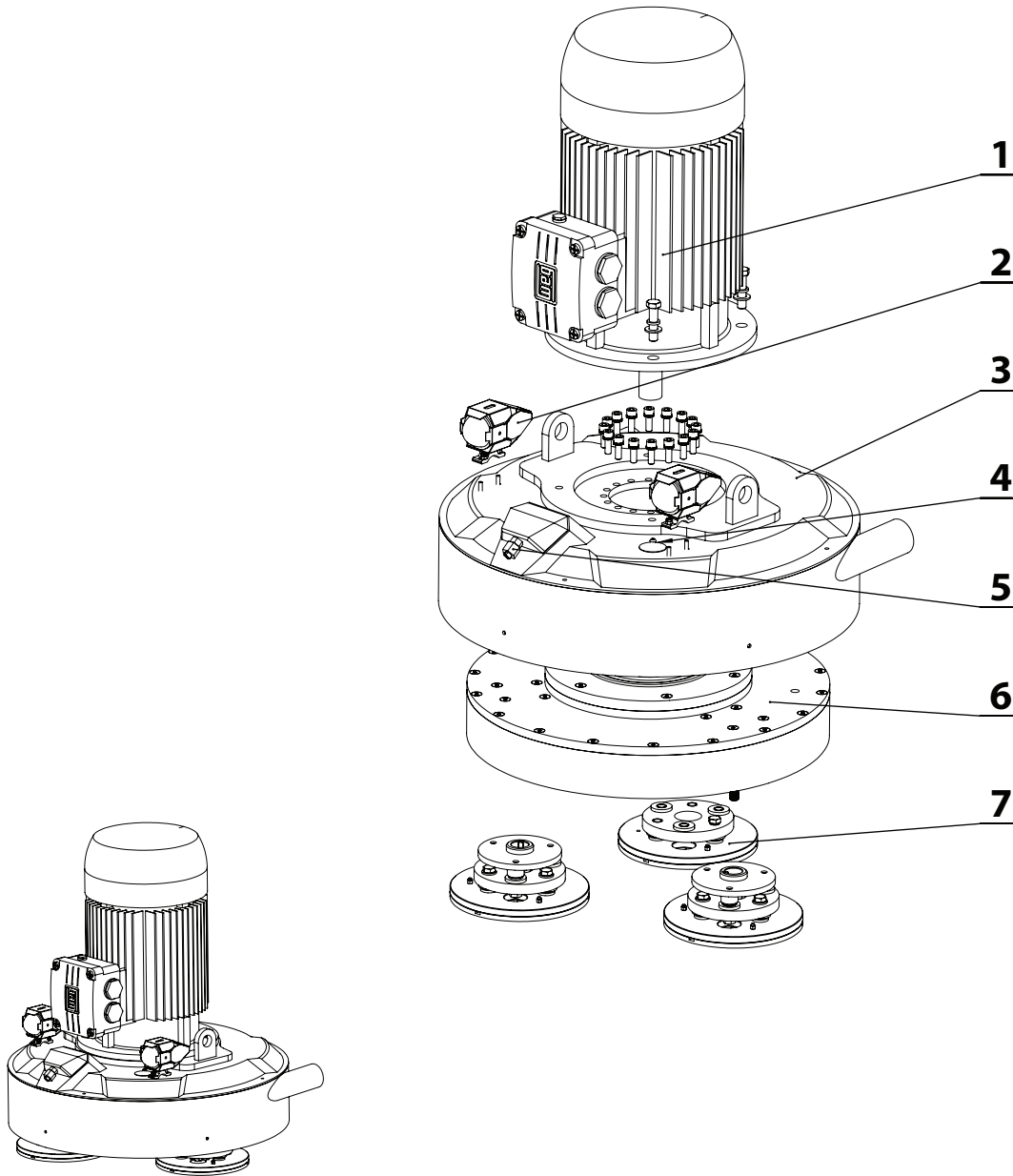
# RSP-6 ELECTRICAL MOUNTING ASSEMBLY



#	CODE	NAME	MODEL	QTY
1	4.11.040.099	Electrical Component Mounting Plate, Painted	RSP-6	1
2	3.12.111.004	Inverter, 220V	RSP-6	1
3	3.23.115.001	DIN Rail, 1.2 mm Thick	RSP-6	2
4	3.21.111.004	Switching Power Supply	RSP-6	1
5	3.21.123.001	Terminal End Clamp	RSP-6	2
6	3.21.123.009	Terminal Blocks	RSP-6	6
7	3.23.115.001	DIN Rail, 1.2 mm Thick	RSP-6	2

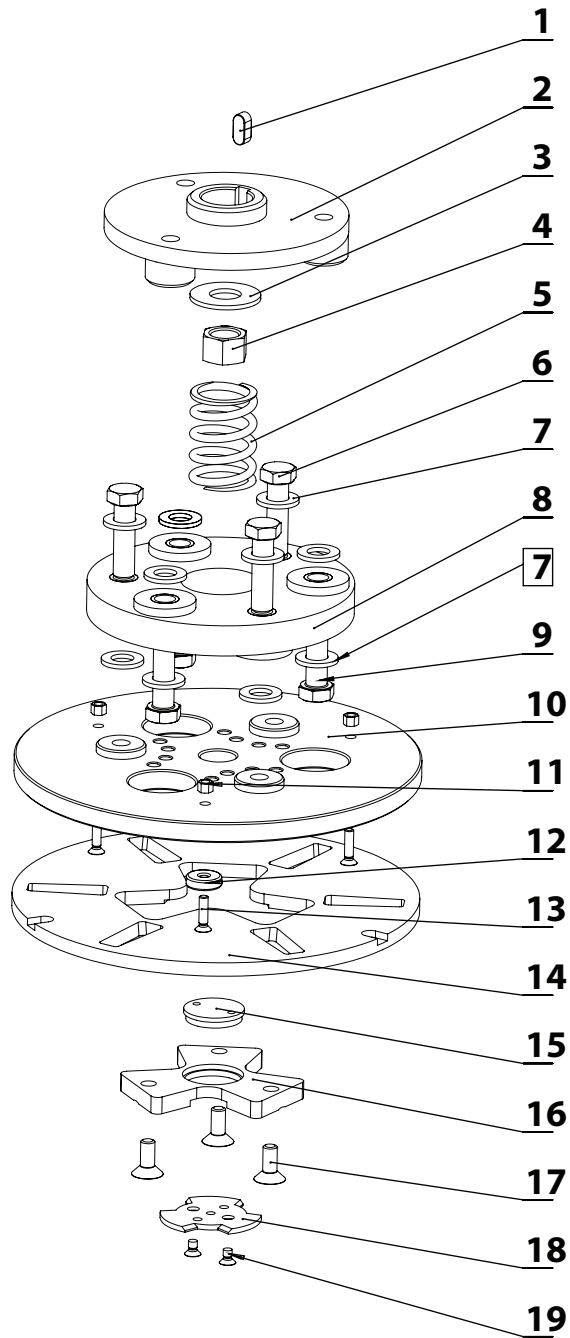


# RSP-6 GEARBOX ASSEMBLY



#	CODE	NAME	MODEL	QTY
1	3.11.111.010	Weg Motor	RSP-6	1
2	3.21.116.011	External LED Lamps	RSP-6	2
3	3.13.113.145	Gearbox Cover, Painted	RSP-6	1
4	3.22.163.021	Oil Cap	RSP-6	1
5	2.41.017.005	Spray Head Assembly	RSP-6	1
6	3.13.112.017	Gearbox	RSP-6	1
7	2.41.041.013	Grinding Disc Assembly	RSP-6	3

# RSP-6 DISC ASSEMBLY



#	CODE	NAME	MODEL	QTY
1	3.22.118.001	Key	RSP-6	1
2	3.22.116.006	Upper Flange, Plated	RSP-6	1
3	5.11.109.027	SS Flat Washer, M18 201	RSP-6	1
4	5.11.106.005	SS Nut	RSP-6	1
5	3.22.120.006	Grinding Disc Spring, Galvanized	RSP-6	1
6	5.11.101.144	Hex Bolt, Galvanized M12 x 45	RSP-6	3
7	5.11.109.014	SS Flat Washer, M12 / 201	RSP-6	14
8	3.22.117.033	Rubber Pad	RSP-6	1
9	5.11.101.048	Hex Bolt, Galvanized, M12 x 50	RSP-6	3
10	3.14.112.105	Fixed Plate, Chrome Plated	RSP-6	1
11	5.11.106.006	SS Nut, M5 / 201	RSP-6	3
12	3.22.114.002	Magnet	RSP-6	3
13	5.11.103.006	Phillips Countersunk Screw, M5 x 20	RSP-6	3
14	3.14.112.104	Round Grining Plate, Chrome Plated	RSP-6	1
15	4.19.001.025	Butterfly-Buckle Rotating Center Piece	RSP-6	1
16	4.19.001.027	Butterfly-Buckle Triangular Fixed Piece	RSP-6	1
17	5.11.101.031	SS Flat-Head Socket Screw	RSP-6	3
18	4.19.001.026	Butterfly-Buckle Triangular Rotating Piece	RSP-6	1
19	5.11.103.020	SS Flat Head Screw	RSP-6	2