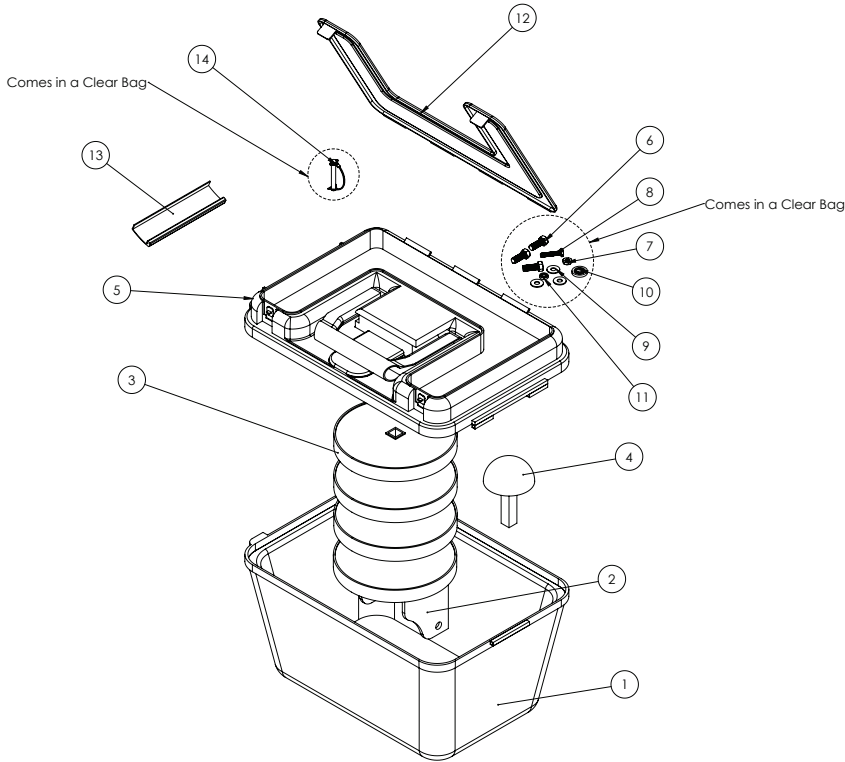




EDGE MASTER

7" PARTS LIST AND USER GUIDE



ITEM NO.	PART NUMBER	QTY.
1	Container Part1	1
2	Weight clump_2	1
3	Weight	3
4	Handle	1
5	Container Part2	1
6	Bolt 1	3
7	Nut	1
8	Bolt 2	1
9	Washer 1	3
10	Washer 2	1
11	Washer 3	1
12	Container Part3	1
13	Container Part4	1
14	D Clip	1

IMAGE 1
On top of the container, bolts and washers are placed

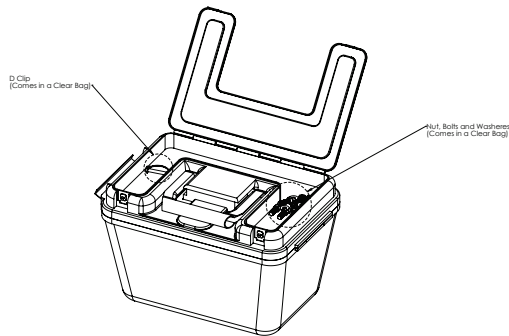


IMAGE 2
Weights and handle are inside the large compartment

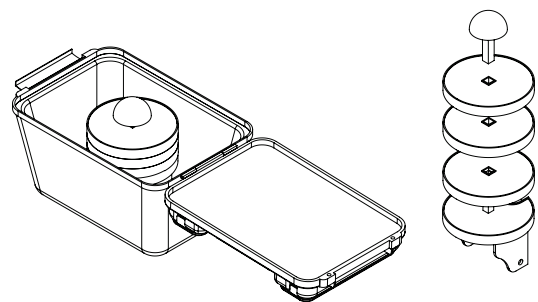
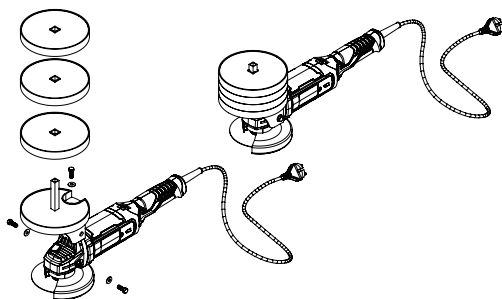


IMAGE 3
Using bolts and washers the weights are attached to the grinder



USER GUIDE VIDEO

