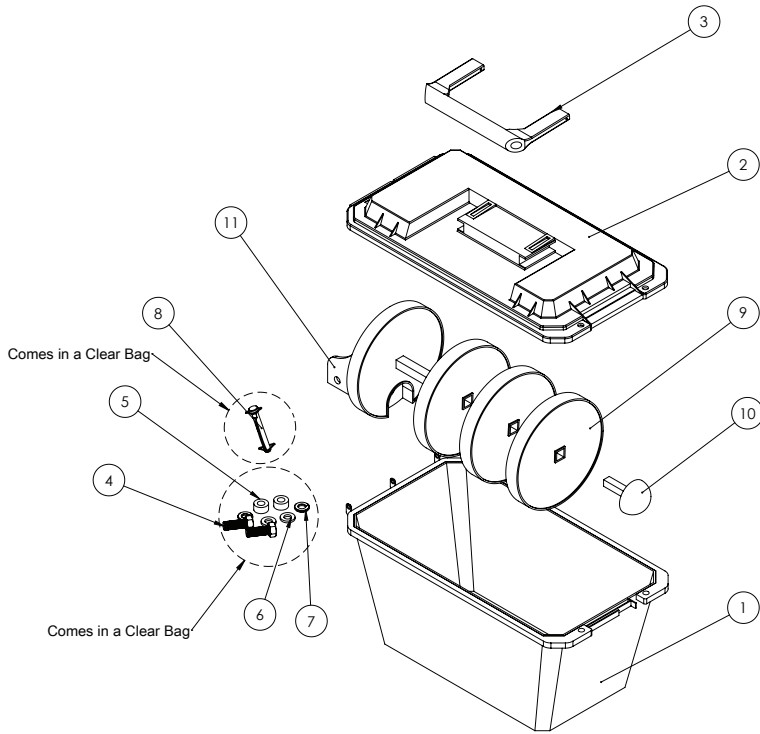




EDGE MASTER

5" PARTS LIST AND USER GUIDE



ITEM NO.	PART NUMBER	QTY.
1	Container Part1	1
2	Container Part2	1
3	Container Part3	1
4	Bolt	2
5	Spacer	2
6	Washer 1	2
7	Washer 2	2
8	D Clip	1
9	Weight	3
10	Handle	1
11	Weight clump	1

IMAGE 1
Weights and handle are inside the large compartment

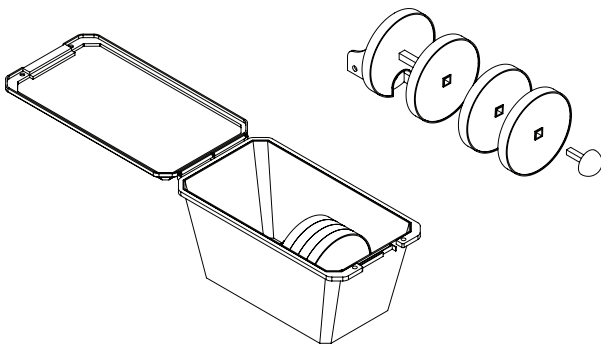
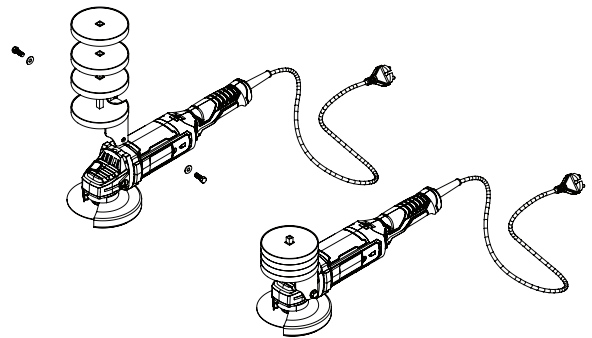


IMAGE 2
Using bolts, washers and with some grinders (ie Metabo) spacers, attach the weight clump to the grinder



USER GUIDE VIDEO

