



Side Attachment Unit Installation Instruction

1. Remove Side Cover by unscrew 4 conical nuts.

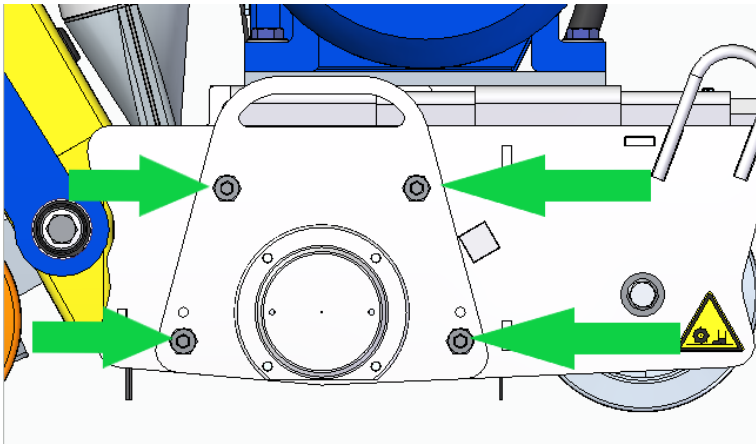


Figure 1

2. Unscrew shaft nut and remove drum.

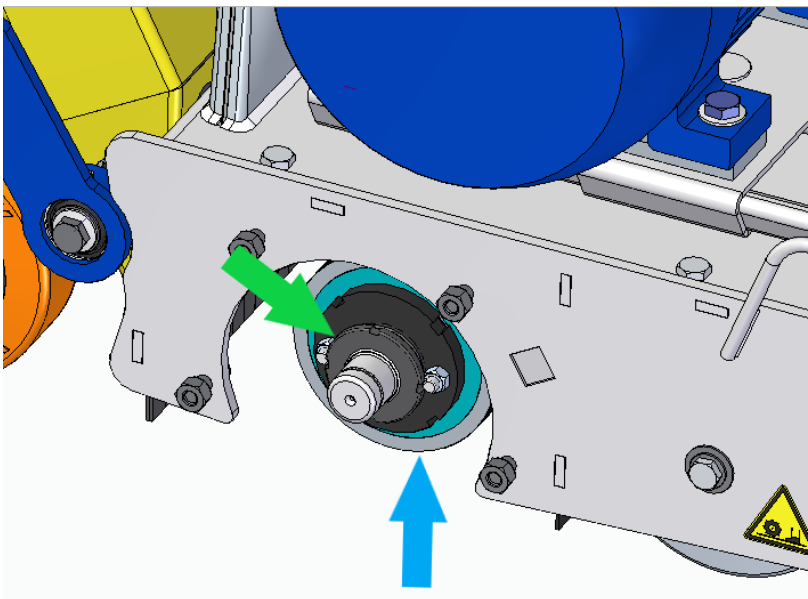


Figure 2



Von Arx EOOD
20, Nedyalka Shileva str.
Trakiya – Industrial zone
4000 Plovdiv, Bulgaria
e-mail: info@vonarx.com
VAT Number: BG202437214



3. Install Key and position shaft vertical

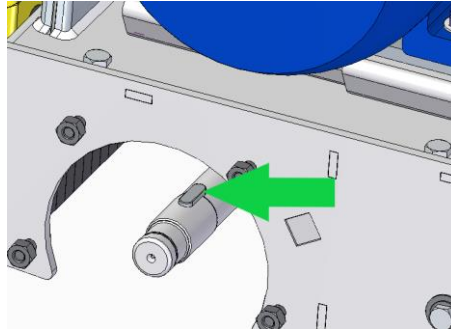


Figure 3

4. Put Side Attachment unit and the same time positioning the Key so that the key and key groove must match.

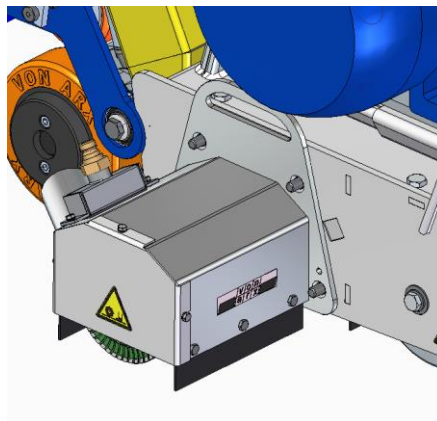


Figure 4

5. Tight 4 conical nuts with cone to the housing of the machine.

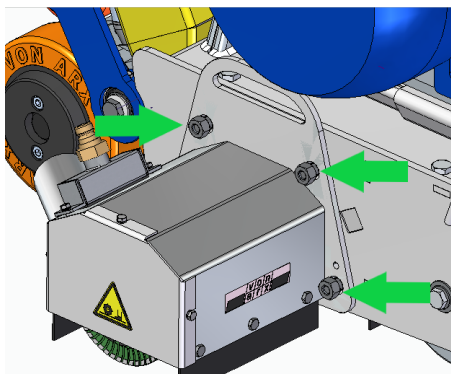


Figure 5