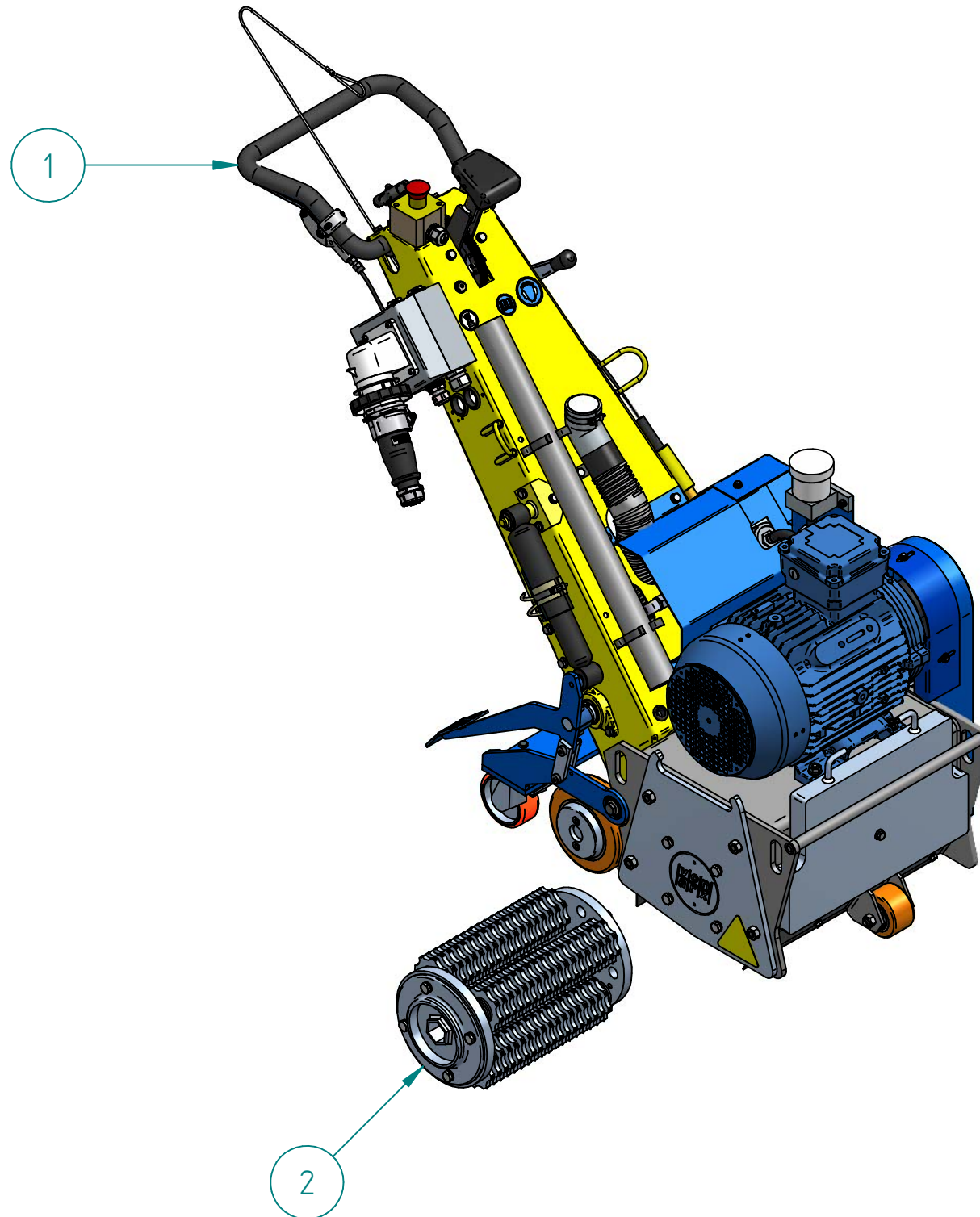

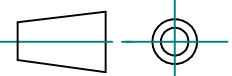


TOLERANCES acc. to ISO / TOLERANSER enl. ISO
 Applicable where no tolerance is indicated.
 Gäller där tolerans ej direkt utsatts
 For machining / For bearbetning: ISO 2768-mK
 For welding / For svetsning: SS-EN ISO 13920-BF
 Surface finish acc. to ISO 1302 Machined surfaces.
 Ytjämnhet enligt ISO 1302. För bearbetade ytor.

Item	Artikelnummer	Document Number	Title	Quantity
1	800008	668.60.00	VA 30SH M.E.-MOT.WITHOUT DRUMM	1
2	701691	630.03.12	DRUM WITH OCTAGONAL CUTTERS FO	1
3	799799		EU - ATTENTION OF CONFORMITY	1
4	799950		OPERATING MANUAL VA 30 SH	1
5	799954		BROCHURE: QUALITY PRODUCTS	1
6	799979		WARRANTY CARD FR	1
7	900074		MOLYKOTE BR2 PLUS	0.005
8	900001		NAYLON BAG WITH TIE 300 X 470mm	1
9	900039		CARTON BOX FOR PALLET 139x79x120h	1
10	900063		EURO PALLET 140/80	1



THE INFORMATION CONTAINED IN THIS DRAWING IS THE SOLE PROPERTY OF
 VON ARX. EOOD REPRODUCTION IN PART OR WHOLE WITHOUT
 THE WRITTEN PERMISSION OF VON ARX EOOD IS PROHIBITED.

Drawn By GS				Date 12/02/2020	Approved Date 19.02.2020	Approved By MS	Material	Dimension
				Description VA 30 SH WITH ELECTR.MOT.AND H		Article Number 800007		
Part/Assembly File 6686012.asm				sheet of 1 1				Rev.
						Units : mm		SIZE A3
						DWG NO 668.60.12		