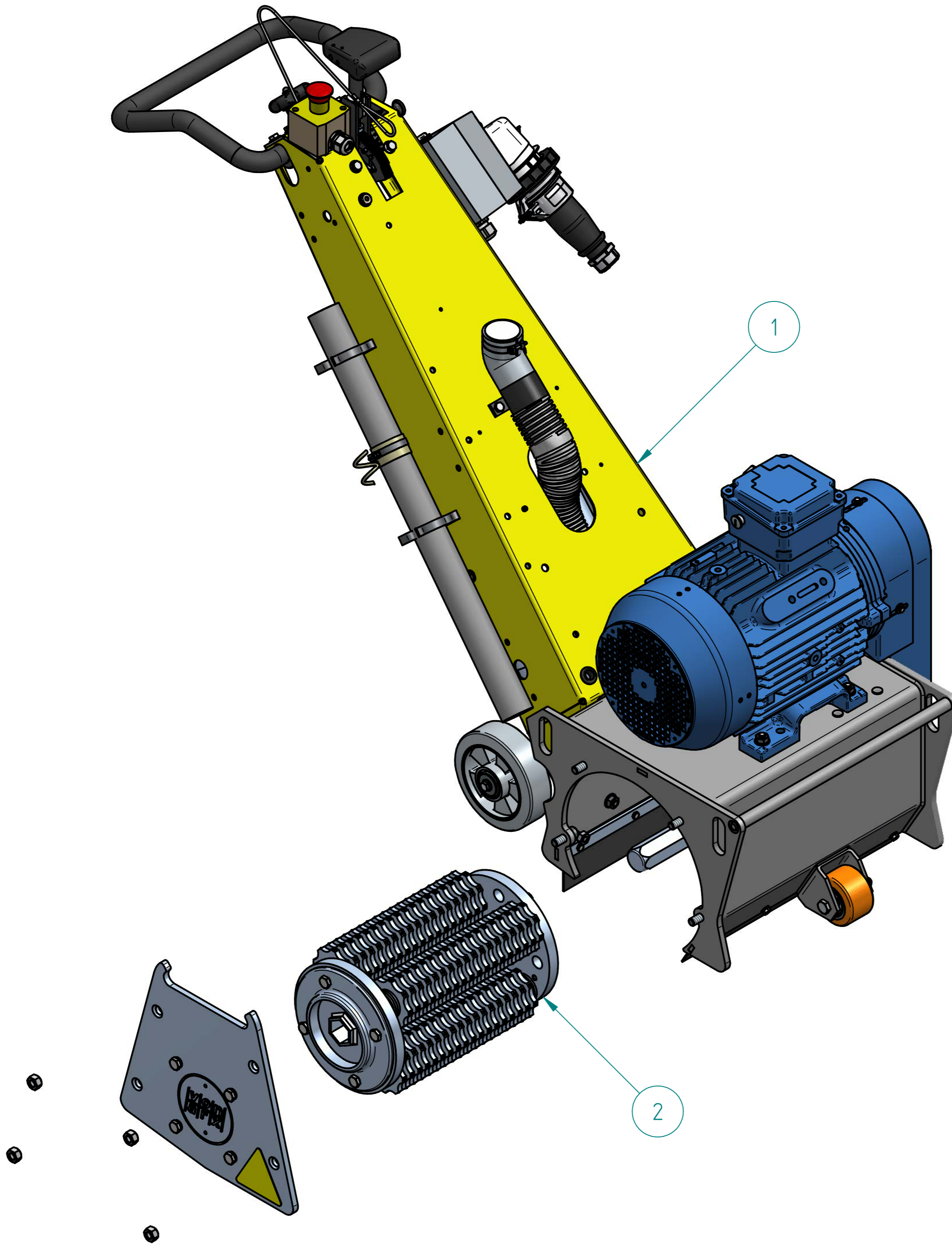


TOLERANCES acc. to ISO / TOLERANSEN entl. ISO
 Applicable where no tolerance is indicated.
 Guller dor tolerans i direkt afsott.
 For machining / For bearbejning ISO 2768-mk
 For welding / For svejsning ISO 5817 ISO 5817-BF
 Surface finish acc. to ISO 15622 Machined surfaces
 Ytjamhet enligt ISO 15022 For bearbetade ytor



Item	Artikelnummer	Document Number	Title	Quantity
1	800009	665.60.00	VA-30 S WITH E-Motor 400 V	1
2	701691	630.03.12	DRUM WITH OCTAGONAL CUTTERS F0	1
3	799799		EU - ATTENTION OF CONFORMITY	1
4	799954		BROCHURE: QUALITY PRODUCTS	1
5	799970		BA FR/VA PART A	1
6	799979		WARRANTY CARD FR	1
7	700603		TUBE MOLYKOTE BR2 PLUS	0.005
8	900001		NAYLON BAG WITH TIE 300 X 470mm	1
9	900063		EURO PALLET 140/80	1
10	900039		CARTON BOX FOR PALLET 139x79x120h	1

THE INFORMATION CONTAINED IN THIS DRAWING IS THE SOLE PROPERTY OF VON ARX. EXACT REPRODUCTION IN PART OR WHOLE WITHOUT THE WRITTEN PERMISSION OF VON ARX. EXACT IS PROHIBITED.

Material		Dimension	
Drawn By GS	Date 12/02/2020	Approved Date 25.02.2020	Approved By MS
Units : mm		SIZE A2	
		Description VA 30S WITH ELECTRIC MOTOR 400	Article Number 800010
		DWG NO 665.60.12	
Part/Assembly File 6656012.asm		sheet 1	of 1
			Rev.