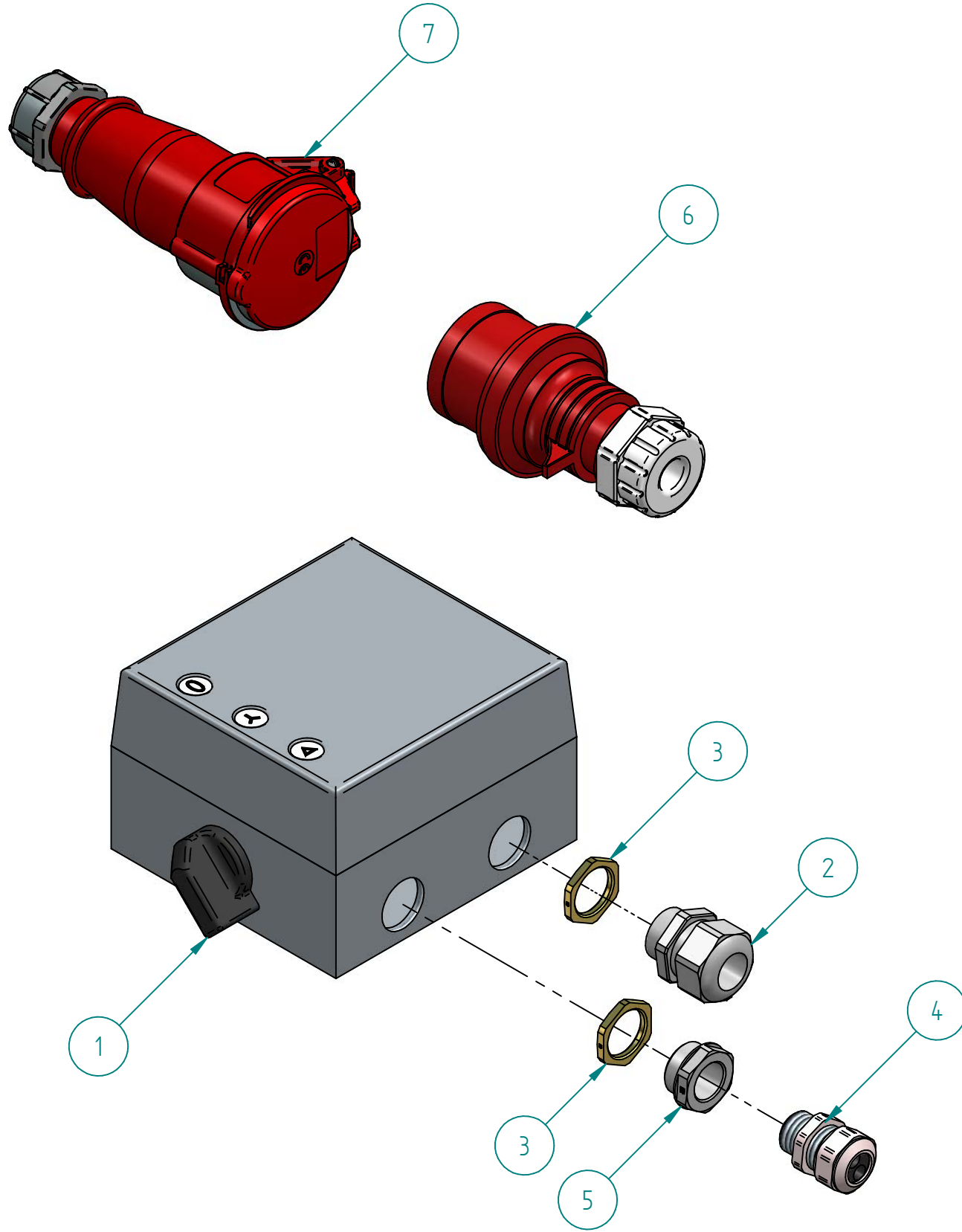


TOLERANCES acc. to ISO / TOLERANSER enl. ISO
 Applicable where no tolerance is indicated.
 Gäller där tolerans ej direkt utsatts
 For machining / For bearbetning: ISO 2768-mK
 For welding / För svetsning: SS-EN ISO 13920-BF
 Surface finish acc. to ISO 1302. Machined surfaces.
 Ytjämnhet enligt ISO 1302. För bearbetade ytor.



Item	Artikelnummer	Document Number	Title	Quantity
1	900058		SWITCH Y-D 48-75/2 NS16	1
2	114814	791.80.52	SCREWED CABLE GLAND M25 PLAST	1
3	115297	791.80.82	COUNTER NUT BRASS, M25	2
4	115086	791.80.70	CABLE GLAND PROGRESS KST.	1
5	115099		REDUCTION M25/M20	1
6	109464		EC CONNECTOR 380 V	1
7	109462		COUPLING CEE	1
8	106050	791.80.56	FLAT SOCKET V40628	1
9	108990	791.46.01	EL. CABLE 2 X 1mm² PUR/PUR	1.64
10	108994	791.46.05	EL. CABLE 7 X 1,5mm² PUR/PUR	1.8
11	110298	791.44.62	BLADE TERMINAL SLEEVE	2
12	109009	791.46.22	ELECTRIC WIRE TERMINAL	11
13	109007	791.46.20	CABLE LUG $\phi=5$	7
14	900048		UNINSULATED WIRE TERMINAL 1mm²	6
15	108995		ELECTRIC CABLE 4 X 1,5	3
16	900016		UNINSULATED WIRE TERMINAL 1,5mm2	4
17	900000		CABLE TIE 280X3,5, NATURAL	3

THE INFORMATION CONTAINED IN THIS DRAWING IS THE SOLE PROPERTY OF
 VON ARX EOOD. REPRODUCTION IN PART OR WHOLE WITHOUT
 THE WRITTEN PERMISSION OF VON ARX EOOD IS PROHIBITED.

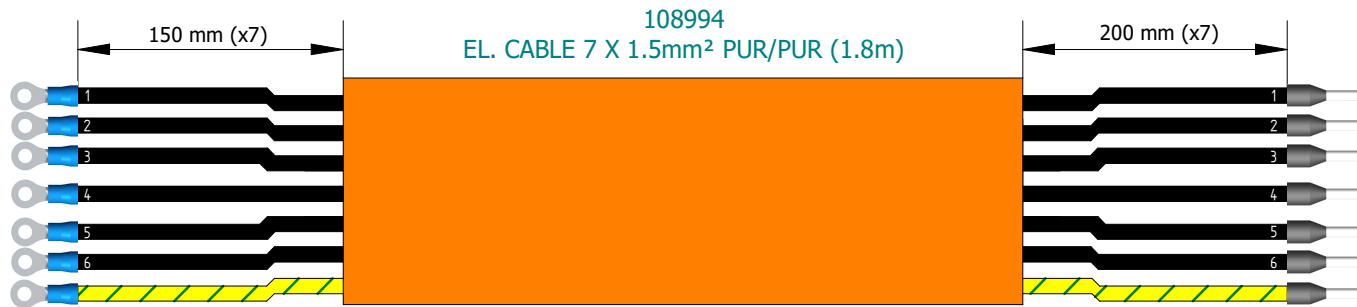
Rev. No	Revision description	Date	Sign
a	Electric plug and socket changed!	30/06/2020	MS

Material	Dimension	Units : mm	SIZE A3
Drawn By GS	Date 11/02/2020	Approved Date 30/06/2020	Approved By MS
		Description SWITCH ASSEMBLED VA 30 S 7,5 K	Article Number 800011
		DWG NO 658.14.00a	
Part/Assembly File 6581400.asm	sheet 1	of 3	Rev. a

TOLERANCES acc. to ISO / TOLERANSEER enl. ISO
 Applicable where no tolerance is indicated.
 Gäller där tolerans ej direkt utställs
 For machining / För bearbetning: ISO 2768-mK
 For welding / För svetsning: SS-EN ISO 13920-BF
 Surface finish acc. to ISO 1302 Machined surfaces.
 Ytjämnhet enligt ISO 1302. För bearbetade ytor.

114257
 ELECTRIC
 MOTOR
 TYPE TE 132M

Мотор (U1)
 Мотор (V1)
 Мотор (W1)
 Мотор (U2)
 Мотор (V2)
 Мотор (W2)
 Мотор (Pe)

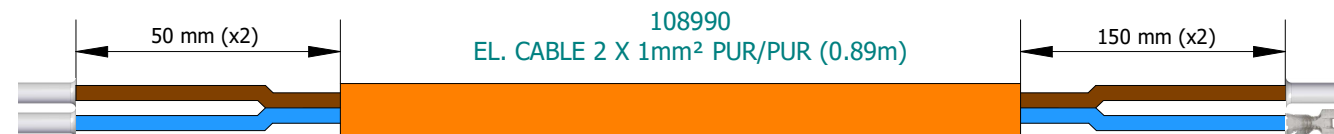


(U1) Ключ
 (V1) Ключ
 (W1) Ключ
 (U2) Ключ
 (V2) Ключ
 (W2) Ключ
 (Pe) Кутия
 на ключа

114260
 SWITCH Y-D
 48-75/2 NS16

110942
 CASING
 EMERGENCY
 STOP

NC контакт (2)
 NC контакт (1)

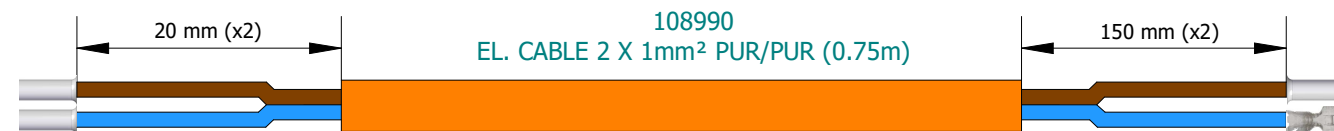


(1) Клема на ключа
 (1) Клема

114260
 SWITCH Y-D
 48-75/2 NS16
 106050
 FLAT SOCKET
 V40628

114997
 POSITION
 SWITCH

Ключ (11)
 Ключ (12)

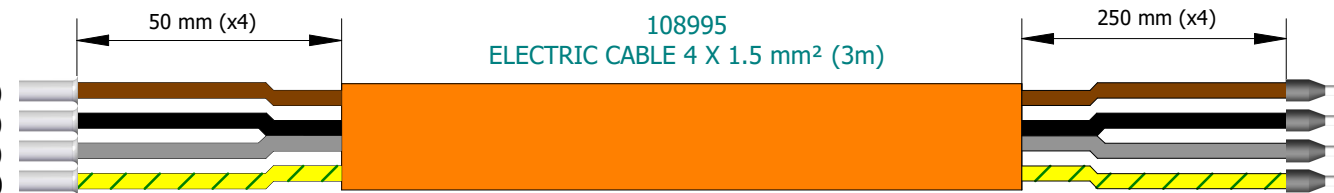


(2) Ключ
 (1) Клема

114260
 SWITCH Y-D
 48-75/2 NS16
 106050
 FLAT SOCKET
 V40628

109464
 EC CONNECTOR
 380 V

Щепсел (L1)
 Щепсел (L2)
 Щепсел (L3)
 Щепсел (Pe)



(L1) Ключ
 (L2) Ключ
 (L3) Ключ
 (Pe) Кутия
 на ключа

114260
 SWITCH Y-D
 48-75/2 NS16

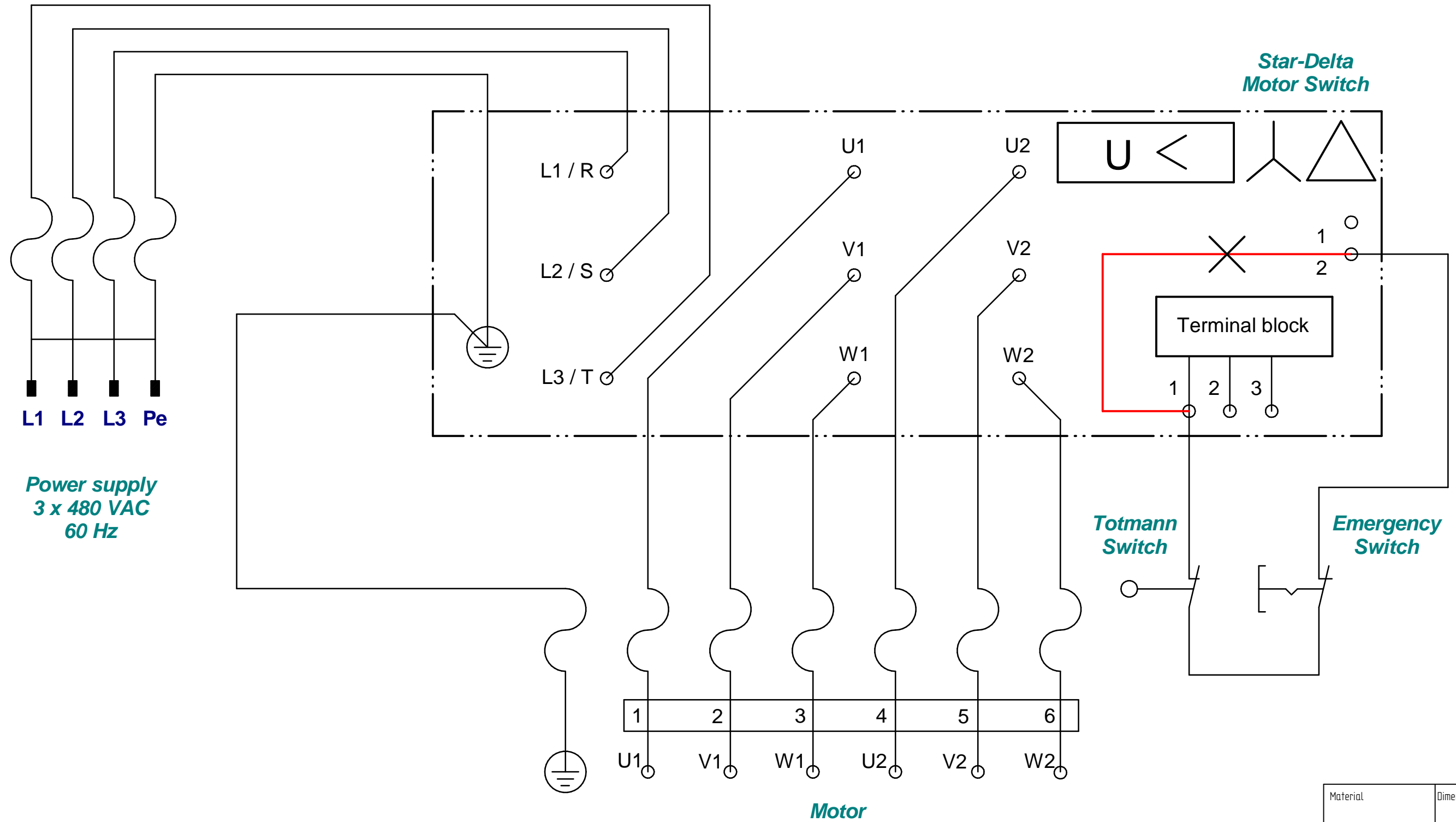
Кабелни накрайници
 (Зачистете всички проводници на 6 mm!)

- 109009 ELECTRIC WIRE TERMINAL (11 бр.)
- 109007 CABLE LUG Ø= 5 MM (7 бр.)
- 900048 UNINSULATED WIRE TERMINAL 1mm² (6 бр.)
- 110298 BLADE TERMINAL SLEEVE 1mm² (2 бр.)
- 900016 UNINSULATED WIRE TERMINAL 1,5mm² (4 бр.)

Material	Dimension
----------	-----------

Drawn By GS	Date 11/02/2020	Approved Date 30/06/2020	Approved By MS	Units : mm	SIZE A4
			Description SWITCH ASSEMBLED VA 30 S 7,5 K	Article Number 800011	
			DWG NO 658.14.00a		
Part/Assembly File 6581400.asm			sheet 2	of 3	Rev. a

TOLERANCES acc. to ISO / TOLERANSER enl. ISO
 Applicable where no tolerance is indicated.
 Gäller där tolerans ej direkt utsatts
 For machining / För bearbetning: ISO 2768-mK
 For welding / För svetsning: SS-EN ISO 13920-BF
 Surface finish acc. to ISO 1302 Machined surfaces.
 Ytjämnhet enligt ISO 1302 För bearbetade ytor.



THE INFORMATION CONTAINED IN THIS DRAWING IS THE SOLE PROPERTY OF
 VON ARX EOOD REPRODUCTION IN PART OR WHOLE WITHOUT
 THE WRITTEN PERMISSION OF VON ARX EOOD IS PROHIBITED

Material		Dimension	
Units : mm	SIZE A3		
Drawn By GS	Date 11/02/2020	Approved Date 30/06/2020	Approved By MS
		Description SWITCH ASSEMBLED VA 30 S 7,5 K	Article Number 800011
		DWG NO 658.14.00a	
Part/Assembly File 6581400.asm	sheet 3	of 3	Rev. a