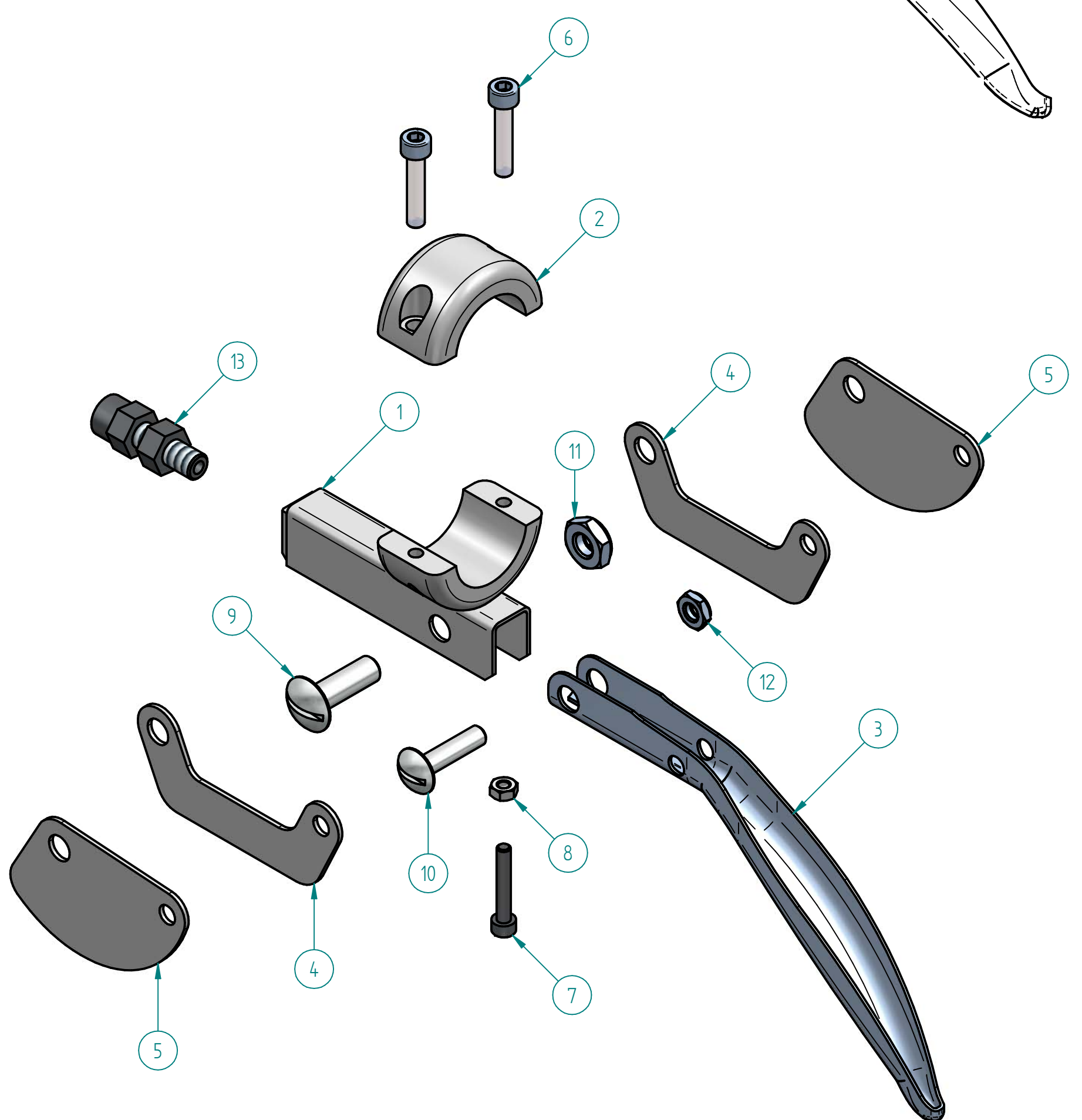
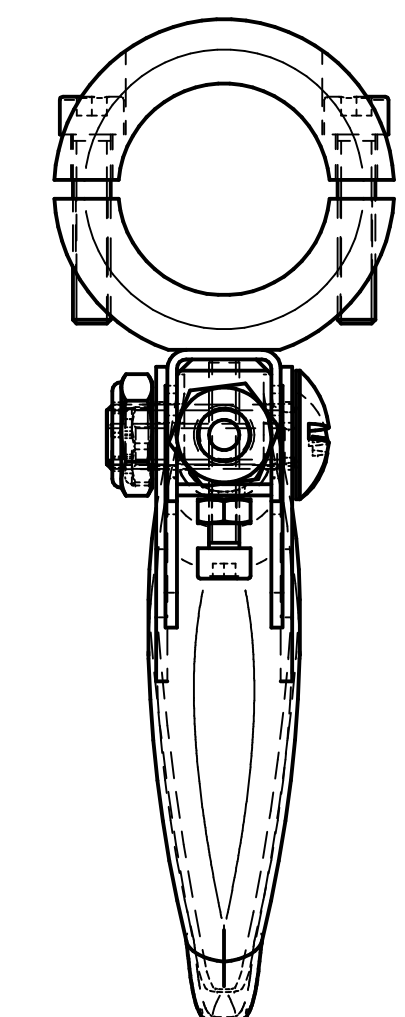
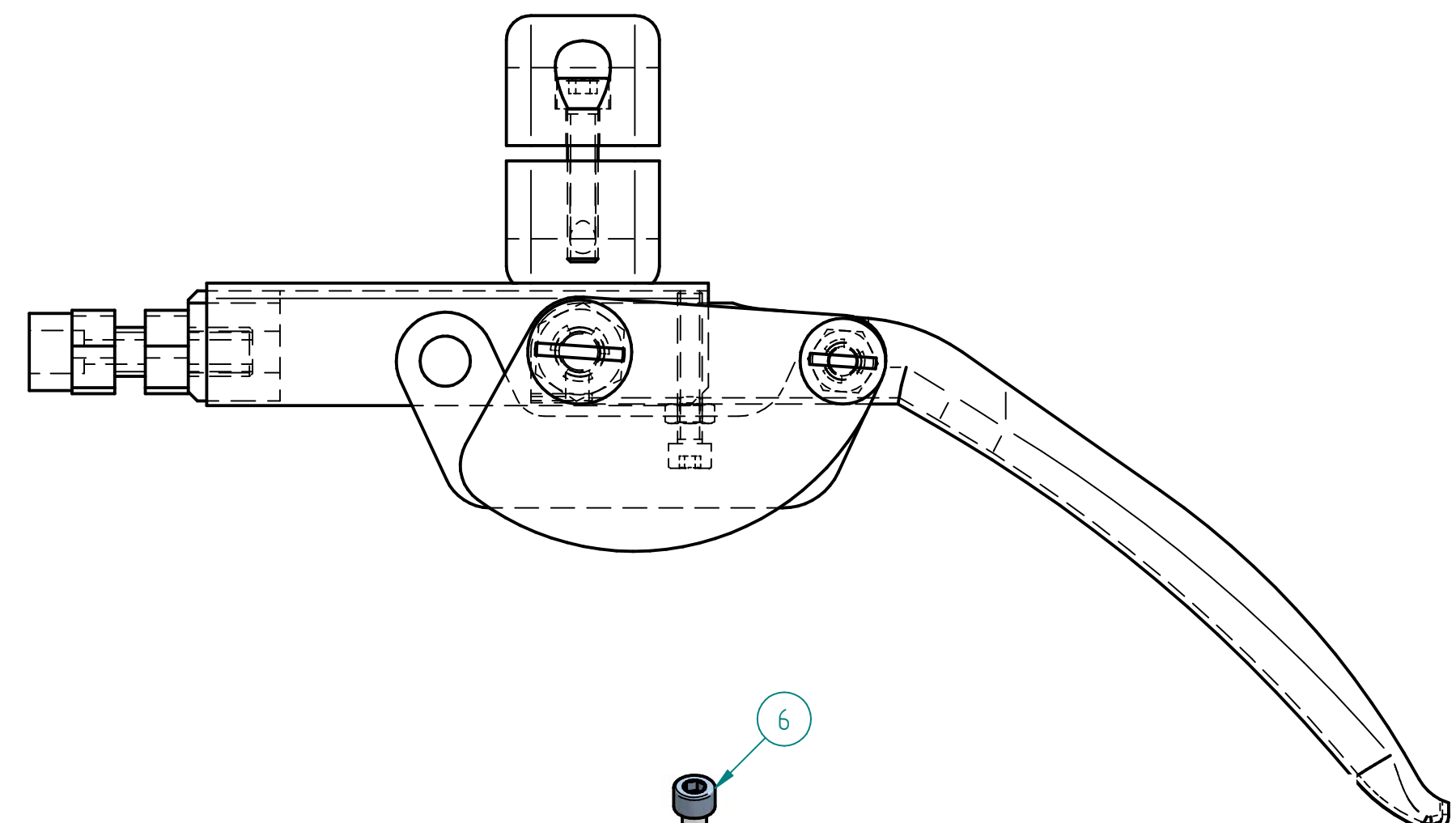


TOLERANCES acc. to ISO / TOLERANSEER entl. ISO  
 Applicable where no tolerance is indicated.  
 Giltler där tolerans ej direkt utformats  
 For machining / For bearbetning ISO 2768-mk  
 For welding / For svejtning SS-EN ISO 13920-BF  
 Surface finish acc. to ISO 1302 Machine surfaces  
 Ytjämnhet enligt ISO 1302. För bearbetade ytor.



Pos.Nr.	Dokumentnummer	Titel	Artikelnummer	Menge
1	656.02.04a	GUIDE FOR HANDLE	702892	1
2	656.02.03	SHACKLE FOR HANDLE SUPPORT	702891	1
3	656.03.01b	LEVER CRANKED	706414	1
4	656.02.05	CONNECTING STRAP	702893	2
5	656.02.06	GUARD PLATE	702894	2
6	BN_3_M5x25	CYL. SCREW	100597	2
7	BN_3_M4x25	ALLEN SCREW	102271	1
8	BN_117_M4	HEXAGONAL NUT	100326	1
9	BN_354_M8x25	CUP SCREW	107957	1
10	BN_354_M6x25	CUP SCREW	107956	1
11	BN_175_M8	SAFETY NUT	106666	1
12	BN_175_M6	SAFETY NUT	108694	1
13	656.74.05	ADJUSTING SCREW	109475	1

Drawn By astucki		Date 11.12.2008	Approved Date 09.12.2019	Approved By MS	Material	Dimension
Part/Assembly File 6560300.asm		Description OPERATING LEVER		Article Number 706415	Units : mm	SIZE A2
DWG NO 656.03.00		sheet of 1 1		Rev.		

THE INFORMATION CONTAINED IN THIS DRAWING IS THE SOLE PROPERTY OF VON ARX. EOOD. REPRODUCTION IN PART OR WHOLE WITHOUT THE WRITTEN PERMISSION OF VON ARX. EOOD IS PROHIBITED.