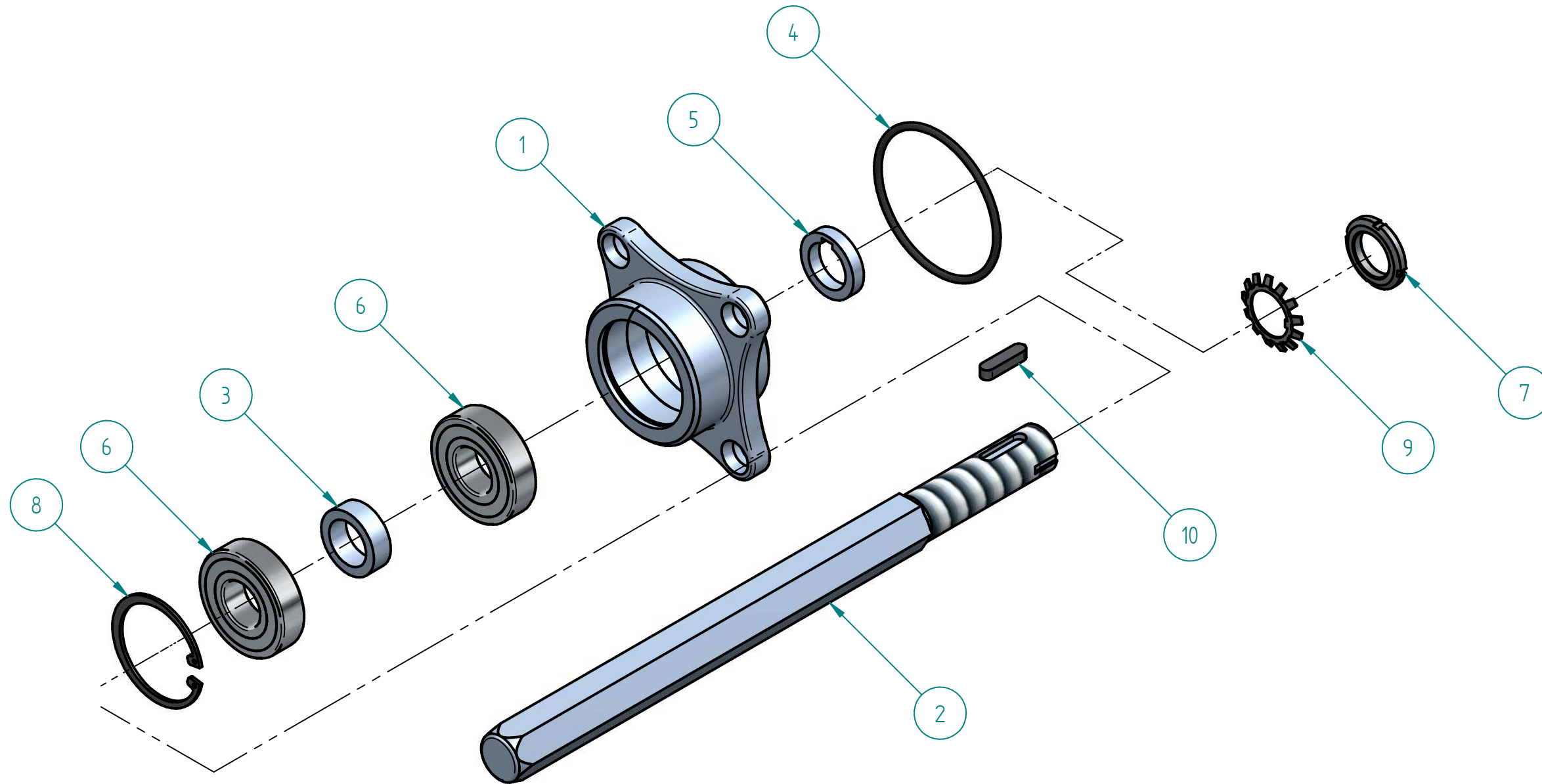


TOLERANCES acc. to ISO / TOLERANSEER enl. ISO
 Applicable where no tolerance is indicated.
 Gäller där tolerans ej direkt utsatts
 For machining / För bearbetning: ISO 2768-mK
 For welding / För svetsning: SS-EN ISO 13920-BF
 Surface finish acc. to ISO 1302 Machined surfaces.
 Ytjämnhet enligt ISO 1302. För bearbetade ytor.

Item	Artikelnummer	Document Number	Title	Quantity
1	702629	655.01.19a	BEARING FLANGE	1
2	701568	630.01.08a	DRIVE SHAFT	1
3	701566	630.01.06	SPACER	1
4	702626	655.01.16	O-RING ORM 1030-50	1
5	702632	655.01.22a	DISTANCE RING	1
6	108279	Kugellager_6307-2RS	BALL BEARING	2
7	108755	Nutmutter_km7	SHAFT NUT	1
8	108723	BN_822_D80	SAFETY RING	1
9	108335	Sicherungsblech_mb7	SAFETY WASHER	1
10	105935	BN_870_10x8x40	SPRING KEY	1
11	700603		TUBE MOLYKOTE BR2 PLUS	0.005



				Material	Dimension	
Drawn By GS	Date 11.9.2018	Approved Date 28.10.2019	Approved By MS		Units : mm	SIZE A3
			Description DRIVE SHAFT PREASSEMBLED		Article Number 709816	
					DWG NO 655.32.01	
Part/Assembly File 6553201.asm			sheet 1	of 1		Rev.