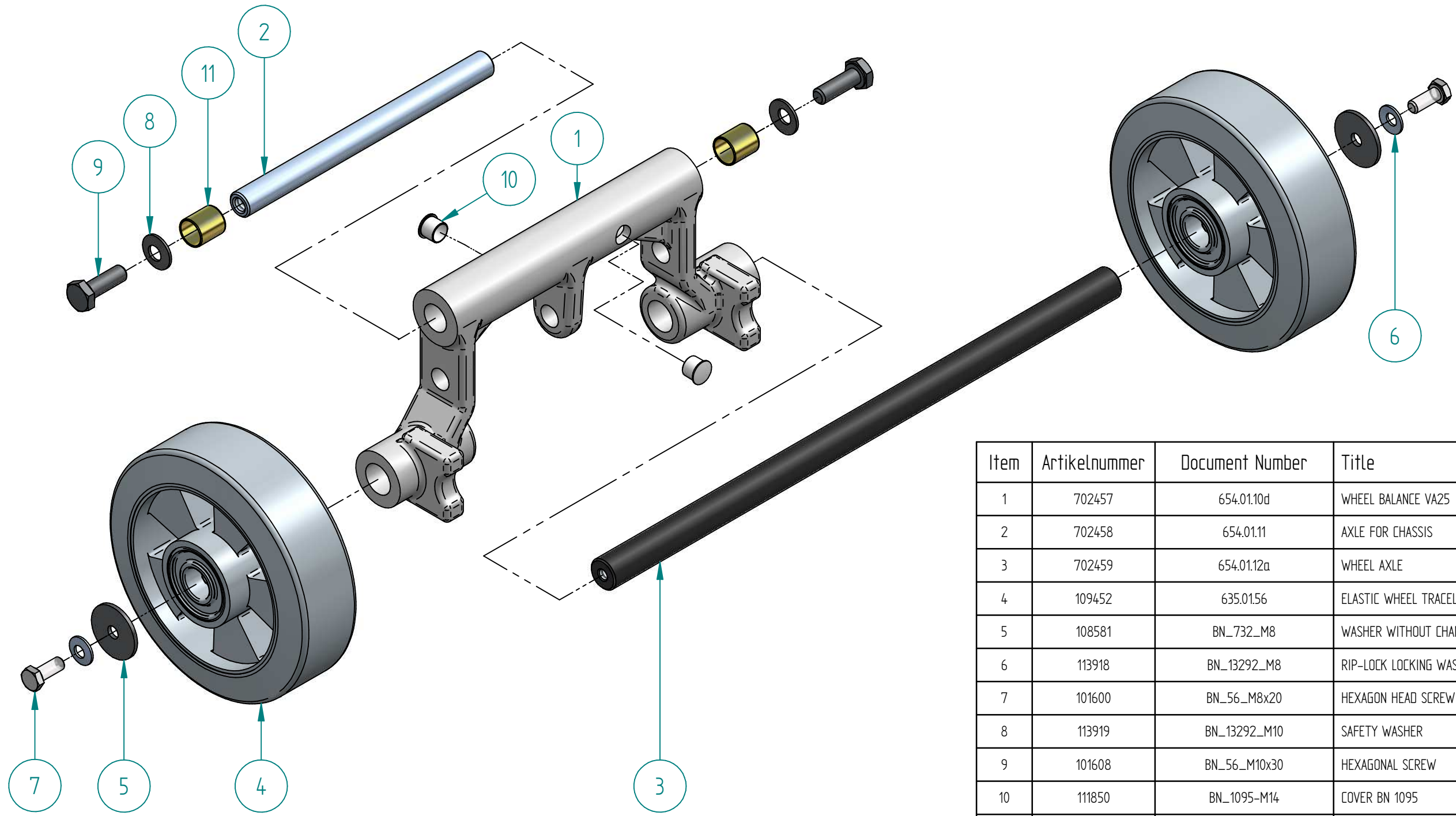


TOLERANCES acc. to ISO / TOLERANSEER enl. ISO
 Applicable where no tolerance is indicated.
 Gäller där tolerans ej direkt utsatts
 For machining / For bearbetning: ISO 2768-mK
 For welding / For svetsning: SS-EN ISO 13920-BF
 Surface finish acc. to ISO 1302 Machined surfaces.
 Ytjämnhet enligt ISO 1302. För bearbetade ytor.



| Item | Artikelnummer | Document Number | Title | Quantity |
|------|---------------|-----------------------|------------------------------|----------|
| 1 | 702457 | 654.01.10d | WHEEL BALANCE VA25 | 1 |
| 2 | 702458 | 654.01.11 | AXLE FOR CHASSIS | 1 |
| 3 | 702459 | 654.01.12a | WHEEL AXLE | 1 |
| 4 | 109452 | 635.01.56 | ELASTIC WHEEL TRACELESS GREY | 2 |
| 5 | 108581 | BN_732_M8 | WASHER WITHOUT CHAMFER | 2 |
| 6 | 113918 | BN_13292_M8 | RIP-LOCK LOCKING WASHER | 2 |
| 7 | 101600 | BN_56_M8x20 | HEXAGON HEAD SCREW | 2 |
| 8 | 113919 | BN_13292_M10 | SAFETY WASHER | 2 |
| 9 | 101608 | BN_56_M10x30 | HEXAGONAL SCREW | 2 |
| 10 | 111850 | BN_1095-M14 | COVER BN 1095 | 2 |
| 11 | 108481 | GLY-BUECHSE_MB1620DP4 | FLANGE BEARING | 2 |

| | | | |
|-----------------------------------|-------------------|--|--------------------------|
| Material | | Dimension | |
| Units : mm | SIZE A3 | | |
| Drawn By DD | Date 20.7.2018 | Approved Date 30.10.2019 | Approved By MS |
| | | Description CHASSIS ASSEMBLED FOR BREAK | Article Number 702521 |
| | | DWG NO 654.06.00 | |
| Part/Assembly File 6540600.asm | | sheet 1 | of 1 |
| | | | |
| | | Rev. | |

THE INFORMATION CONTAINED IN THIS DRAWING IS THE SOLE PROPERTY OF VON ARX EOOD REPRODUCTION IN PART OR WHOLE WITHOUT THE WRITTEN PERMISSION OF VON ARX EOOD IS PROHIBITED