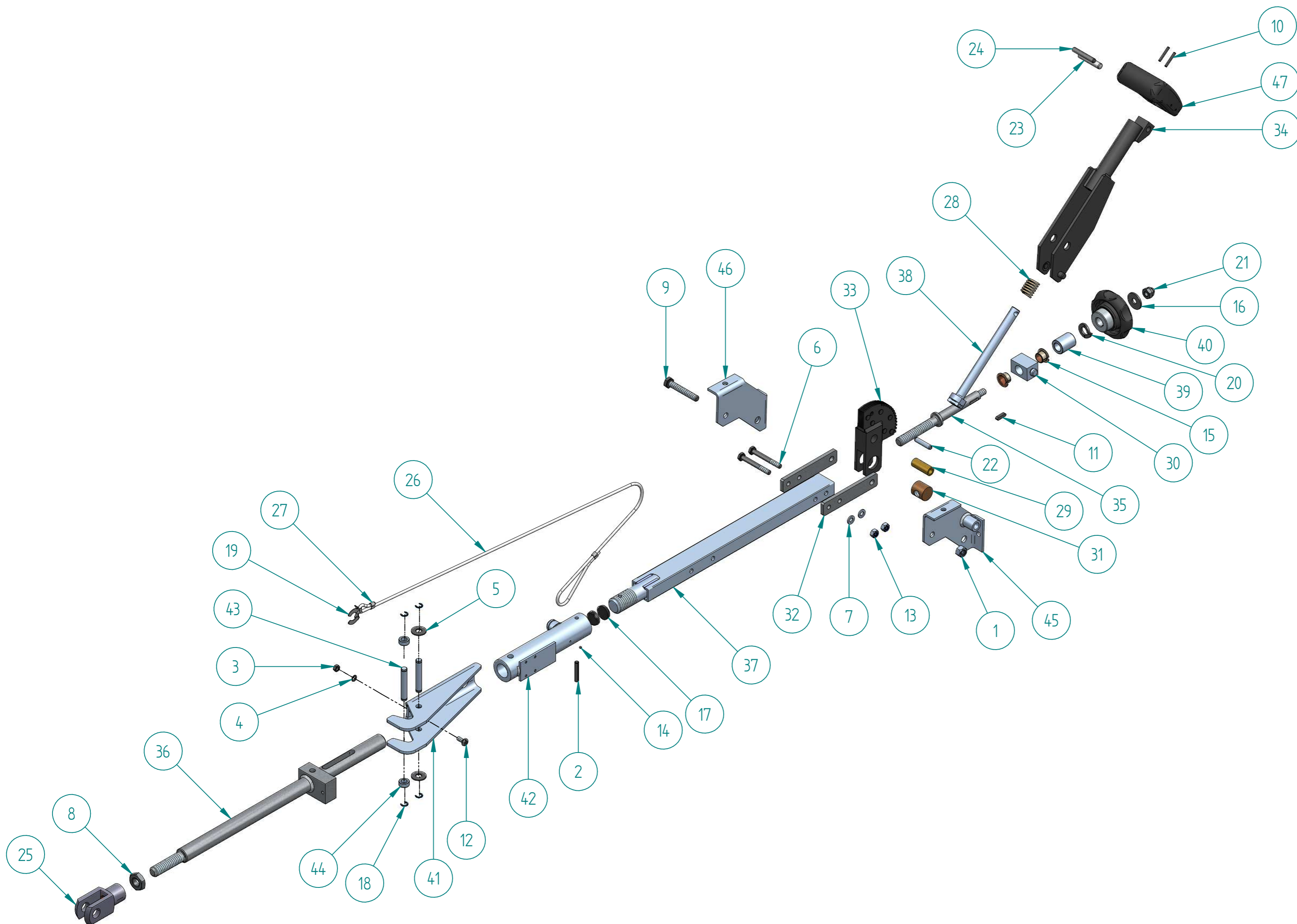


TOLERANCES acc. to ISO / TOLERANSEER ENL. ISO
 Applicable where no tolerance is indicated.
 Gatter der Toleranz en direkt uen
 For machining / For bearbejning ISO 2768-mk
 For welding / For svejning SS-EN ISO 13920-BF
 Surface finish acc. to ISO 15022 Machine surfaces
 Yjajmettet enjgt ISO 1302. For bearbejtede ytor.



Item	Artikelnummer	Document Number	Title	Quantity
1	100263	BN_161_M8	SAFETY NUT	1
2	100319	BN_878_5x30	LOCKING PIN	1
3	100611	BN_117_M5	HEXAGONAL NUT	1
4	102285	BN_792_M5	SAFETY WASHER	1
5	102298	BN_735_M8	WASHER	2
6	104713	BN_57_M6x50	HEXAGONAL SCREW	2
7	107358	BN_721_M6	WASHER	2
8	107853	BN_124_M14	HEXAGONAL NUT 0,5D	1
9	107940	BN_56_M8x50	HEXAGONAL SCREW	1
10	107973	BN_878_03x22	LOCKING PIN	2
11	107990	BN_870_4x4x16	SPRING KEY	1
12	108198	BN_344_M5x12	PAN-HEAD SCREW	1
13	108693	BN_161_M6	SAFETY NUT	2
14	109707		DISC FOR FILTER	1
15	110386		GLACIER DP4-BEARING	2
16	110389	BN_729_M8	SPACER WITHOUT CHAMFER	1
17	110425		SELF STICKING BUFFER	2
18	110426	BN_831_D8	RING CLIP	4
19	110427	BN_13194_D16	SAFETY FOR BOLT	1
20	110537	BN_762_M12	SPRING RING	1
21	111621	BN_167_M8	SAFETY HAT NUT	1
22	111788	BN_874_06x28	LOCKING PIN BN 874	1
23	113543	BN_858_08x40	CYLINDER PIN	1
24	114626	BN_858_06x40	CYLINDER PIN	1
25	115635	BN_482-14x28	FORK JOINT	1
26	701242		POLYESTER CORD	1
27	701243	62107.11	DOUBLE TUBING CLAMP 0405/2	3
28	701637	630.02.14a	PRESSURE SPRING	1
29	702354	644.02.05	BUSH	1
30	702355	644.02.06a	SQUARE PART VA25-S	1
31	702356	644.02.07	DRIVER	1
32	702358	644.02.09	BRACKET	2
33	702359	644.02.10f	TOOTHED ELEMENT VA25-S	1
34	702360	644.02.11e	ADJUSTING LEVER VA25	1
35	702361	644.02.14	ADJUSTING SPINDLE VA25-S	1
36	702367	644.03.02a	LOWER ADJUSTMENT ROD VA25-S	1
37	702368	644.03.03b	ADJUSTING ROD FOR VA 25 S TOP	1
38	703012	665.08.11	RETAINING ROD	1
39	703016	665.08.15	TUBE	1
40	703017	665.08.16a	HANDLE	1
41	703030	665.09.01b	CATCH	1
42	703033	665.09.04e	CONNECTING TUBE	1
43	703034	665.09.05	PIN	2
44	703036	665.09.07	DISTANCE SINK SLEEVE	2
45	706108	644.02.12a	BEVELLED PROFILE LEFT	1
46	706109	644.02.13	BEVELLED PROFILE RIGHT	1
47	706114	644.02.20b	HANDLE	1
48	700603		TUBE MOLYKOTE BR2 PLUS	0.001
49	900030		ZIPPED NAYLON BAG 15X18	1

Material		Dimension	
Drawn By DD	Date 12.7.2018	Approved Date 28.10.2019	Approved By MS
Units : mm		SIZE A2	
		Description DEAD-MAN DEVICE	
		Article Number 702366 DWG NO 644.03.00f	
Part/Assembly File 6440300.asm		sheet 1	of 1
		Rev. f	

THE INFORMATION CONTAINED IN THIS DRAWING IS THE SOLE PROPERTY OF VON ARX. EOOD REPRODUCTION IN PART OR WHOLE WITHOUT THE WRITTEN PERMISSION OF VON ARX EOOD IS PROHIBITED.