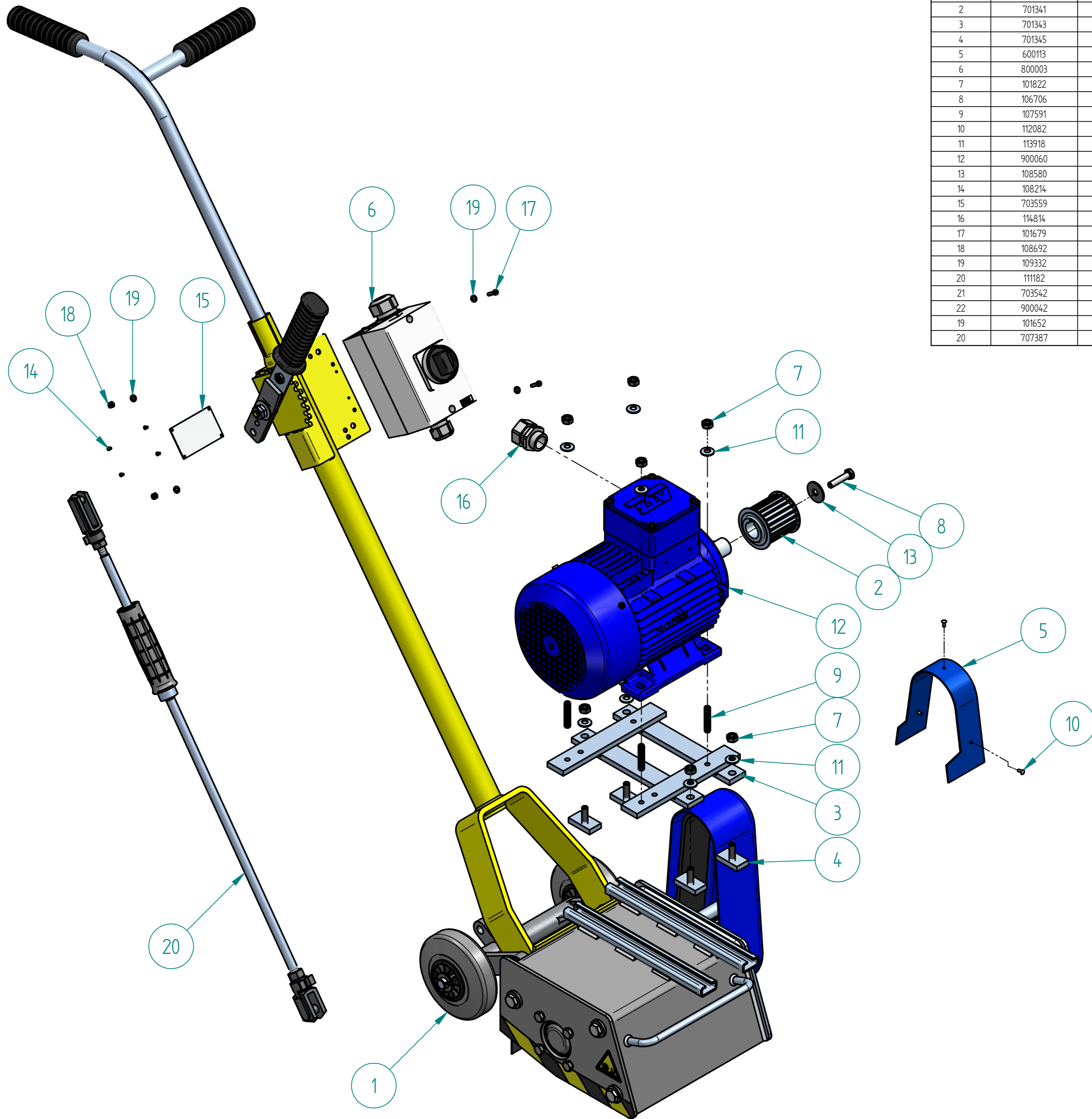


TOLERANCES acc. to ISO / TOLERANSEER entl. ISO  
 Applicable where no tolerance is indicated.  
 Gatter dur tolerans ei direkt utsatts  
 For machining / For bearbejning ISO 2768-mk  
 For welding / For svejtning SS-EN ISO 13920-BF  
 Surface finish acc. to ISO 15622 Machine surfaces  
 Ytjamhet enligt ISO 1302. For bearbejtede ytor.



Item	Artikelnummer	Document Number	Title	Quantity
1	701261	6250000b	BASIC MACHINE FR200	1
2	701341	625.04.02a	TOOTHED PULLEY ELECTROMOTOR FR	1
3	701343	625.04.09b	STRETCHING RAIL	1
4	701345	625.04.06e	SCREW	4
5	600113	600113	ADDITIONAL BELT GUARD 115V	1
6	800003	625.38.02	ELECTRIC SWITCH PRE-ASS.	1
7	101822	BN_117_M8	HEXAGONAL NUT -0.80	8
8	106706	BN_56_M8x35	HEXAGON HEAD SCREW	1
9	107591		HEXAGON SOCKET SET SCREW WITH FLAT POINT M8X40, DIN 913	4
10	112082		RIVET POP TLP/D429	3
11	113918	BN_13292_M8	RIP-LOCK LOCKING WASHER	8
12	900060		ELECTRIC MOTOR 1PH, 115V, 60HZ	1
13	108580		WASHER	1
14	108214	BN_924_TAP_D320	POP RIVET TAP/D320	4
15	703559	788.42.31c	TYPE PLATE	1
16	114814	791.80.52	SCREWED CABLE GLAND M25 PLAST	1
17	101679	792.67.45	CYLINDER SCREW	2
18	108692	BN_161_M4	SAFETY NUT	2
19	109332		CABLE STRAPS	5
20	111182		STICKER -CAUTION HIGH VOLTAGE-	2
21	703542		ARROW	1
22	900042		LOCTITE 243	0,02
19	101652	BN_715_M4	WASHER	4
20	707387	625.12.00b	FINE ADJUSTMENT FOR FR 200	1

Material		Dimension	
Units : mm	SIZE A2		
Drawn By MASP	Date 11/02/2020	Approved Date 11.02.2020	Approved By MS
		Description FR 200 WITH ELMOTOR 115 V	Article Number 800005
		DWG NO 625.62.00	
Part/Assembly File 6256200.asm		sheet 1	of 1
		Rev.	