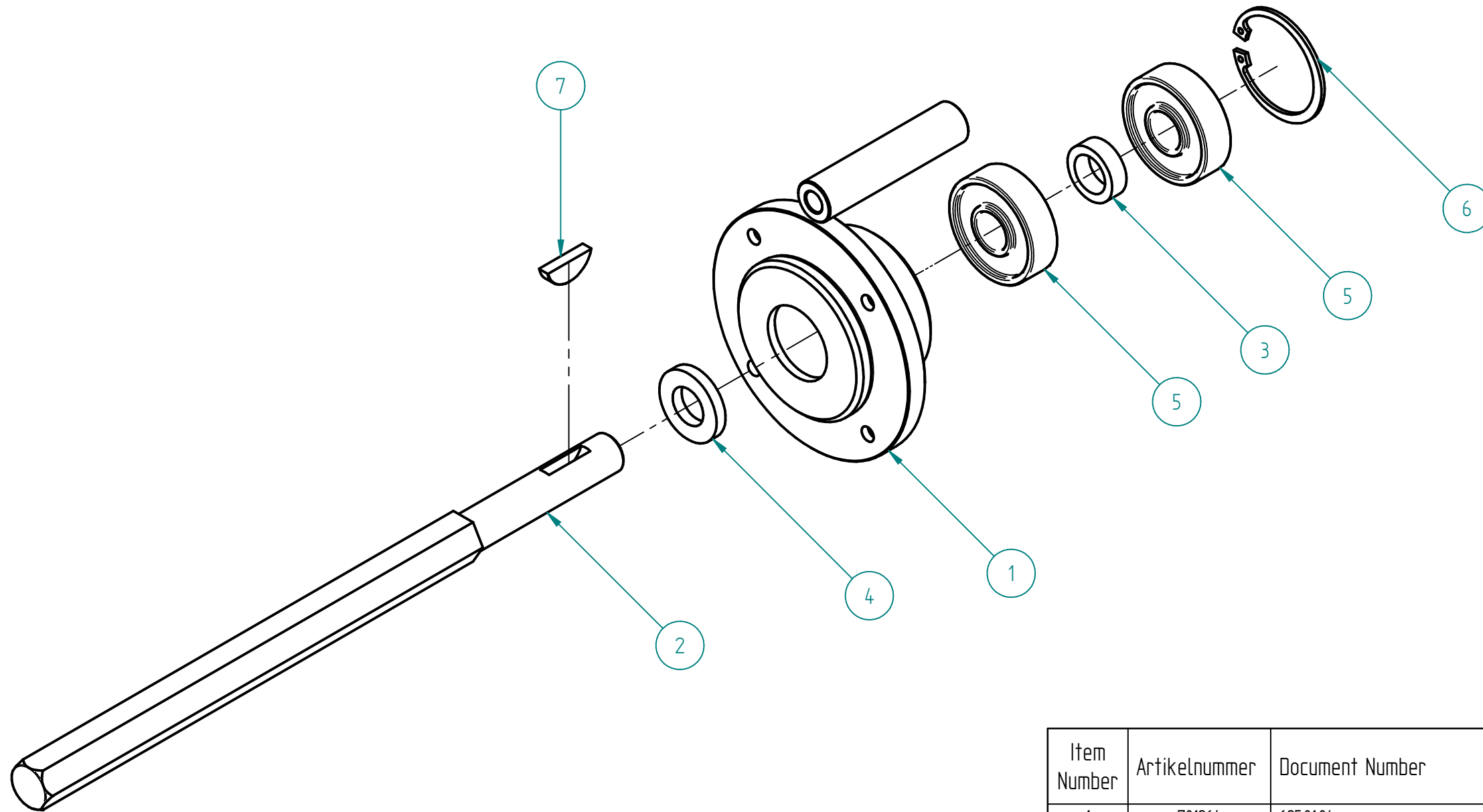




TOLERANCES acc. to ISO / TOLERANSER enl. ISO
 Applicable where no tolerance is indicated.
 Gælder når tolerans er direkte utsatt.
 For machining / For bearbejning: ISO 2768-mK
 For welding / For svejsning: SS-EN ISO 13920-BF
 Surface finish acc. to ISO 1302. Machined surfaces.
 Ytjæmhet enlgt. ISO 1302. For bearbejtede ytor.



Item Number	Artikelnummer	Document Number	Title	Quantity
1	701264	625.01.04g	BEARING HOUSING FR 200	1
2	700014	625.01.03c	DRIVE SHAFT FR200	1
3	701268	625.01.08	SPACER RING FR 200	1
4	701267	625.01.07c	SPACER RING FR 200	1
5	108274	Kugellager_6303-2RS	BALL BEARING	2
6	100623	BN_823_D47	SAFETY RING	1
7	108591	BN 873 1322923 woodruff key	WOODRUFF KEY	1

Material			Dimension		
Units : mm	SIZE A3				
Drawn By mheer	Date 16.7.2018	Approved Date 25.09.2019	Approved By MS		
		Description DRIVE SHAFT ASSEMBLED		Article Number 701461	
				DWG NO 625.32.00	
Part/Assembly File 6253200.asm		sheet 1	of 1		Rev.