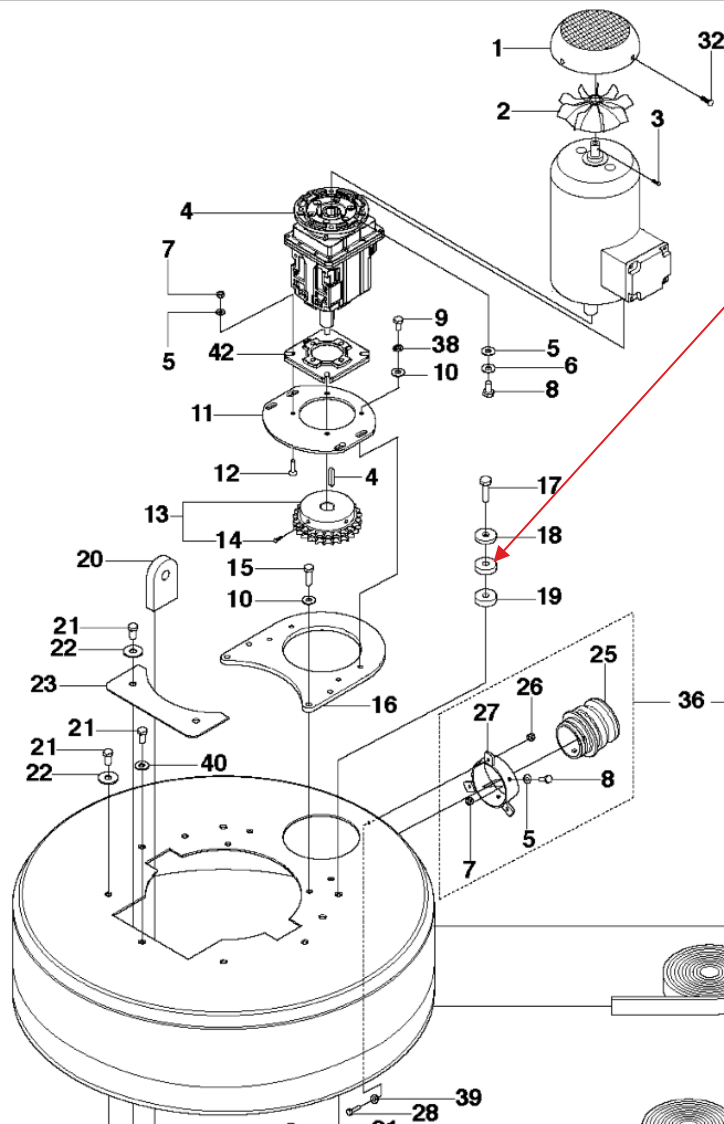


Bush Hammer

20



On PG820 Push Models, necessary to remove one of the thick washer/ bushings on the shroud on each side under the chassis arms so wheels can touch the ground. Not necessary on RC models.