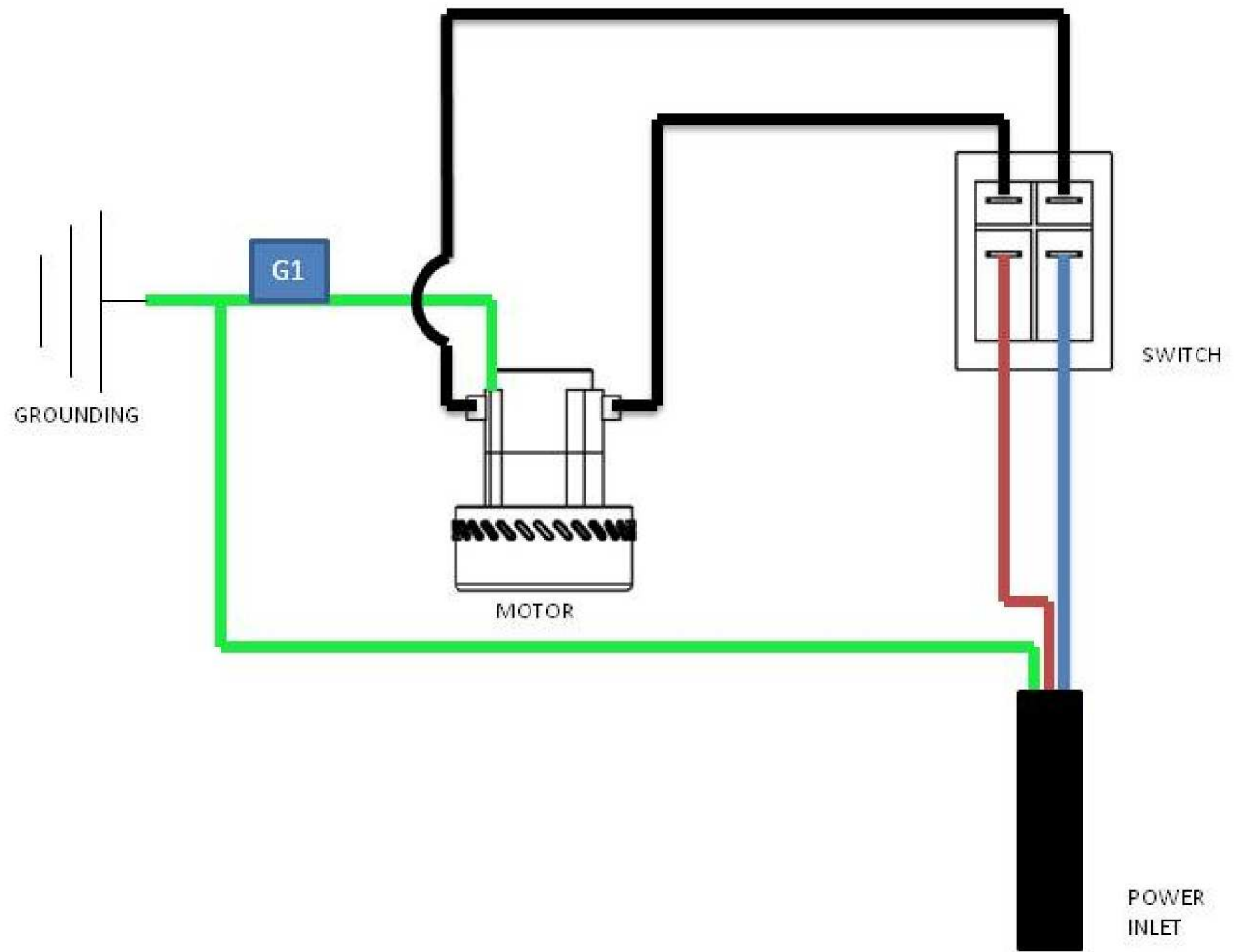


G1. GROUNDING CABLE 520MM



Qty	Material	Dimension	Status	REV		
DRAWN BY	YEAR	WEEK	DRAWING CHECKED BY	DESIGN CHECKED BY	APPROVED BY	DATE
JyZ	2011					
		DESCRIPTION (ENGLISH)		DRAWING NR		
		CABLE KIT 120V (ex.S13)		201100181a		
DESCRIPTION (OWN LANGUAGE)		SHEET		Scale		
		1 OF 1		1:2		
PART / ASSEMBLY FILE	DRAWING FILE					
201100181a	201100181a					